

ENDURA WELL GLASS NEO TS IP66

Environmental friendly, energy saving long life corrosion resistant, vertical surface mounting pressure die-cast aluminium housing and control gear compartment well glass luminaires with high power LED as light source.

PRODUCT SPECIFICATIONS

Features & Benefits

- Delivers excellent illumination & comfort in high ceiling areas
- Long life & photobiologically safe LED's
- High performance electronic driver ensures zero maintenance
- No harmful UV & IR radiations
- Environment friendly as it does not contain Mercury
- Instant light with low running temperatures
- Operating temperature:-10° C to +45° C
- Operating voltage range: 140 V - 270 V
- Average life $L_{70B_{50}}$: 50000 hours

Housing

Pressure die-cast aluminum alloy ADC12 housing (heat sink) for effective thermal

management, sturdiness & excellent corrosion resistant. 2 nos. cable gland M16 is provided at cable entry for maintaining Ingress protection and for providing loopin & loop-out facility.

Finish

Epoxy powder coated after phosphochromate treatment in metallic silver finish.

Light source

High efficiency long life LEDs with lumen efficacy of >120 lm/W with viewing angle 120° to ensure better uniformity of light distribution.

Cover

Polycarbonate diffuser in opal finish for glare free light distribution fixed to the housing with 5 nos. SS screws (For Detailed Photometric details, please refer LM 79 report & IES file).

Electronic driver

Integral, electronic driver with APFC, lower THD, Output Short Circuit Protection, Surge Voltage Protection upto 4kV, Over Voltage Protection & other safety test as per IS:15885 Part 2/Sec 13.

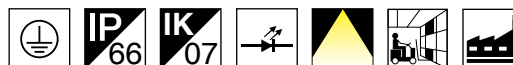
Mounting

Suspended by heavy duty eye-bolt hook provided with the fixture.

Allen grub screw is provided for locking the mounting eye-bolt.

Applications

- Industrial bays
- Cement factories
- Oil process locations
- Medium industrial units



Green
LED | 26 W / 35 W / 40 W
Life **50000** hours | HighEfficiency



TECHNICAL DATA

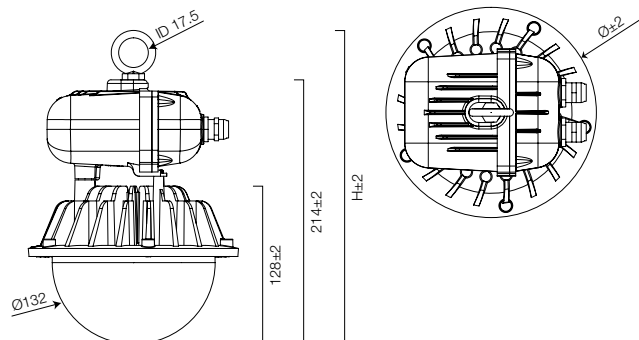
Ordering Code	System Power (W)	Nominal Voltage (V~)	Mains Current (A)	Power Factor	Colour Temp. (CCT)	CRI (Ra)	System Lumens (lm)	Colour of Fixture	System Luminous Efficacy lm/W
ENDURAWELGLASSNEOTSWGP26WLED757SPC	26 W	240	0.115	≥0.95	5700 K	≥80	2730	Gray	≥105
ENDURAWELGLASSNEOTSWGP35WLED757SPC	35 W	240	0.150	≥0.95	5700 K	≥80	3500	Gray	≥100
ENDURAWELGLASSNEOTSWGP40WLED757SPC	40 W	240	0.180	≥0.95	5700 K	≥80	4000	Gray	≥100

IS 10322 (Part 5/Sec 1): 2012

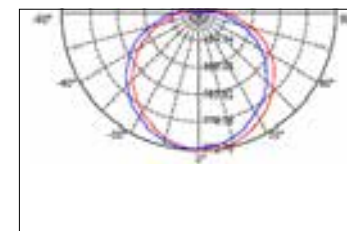


Driver code: LSSCRX2400 for 26 W, LSSCRX2399 for 35 W, LSSCRX2398 for 40 W.

TECHNICAL DRAWING



PHOTOMETRIC DRAWING



System Power	Ø (mm)	Width w (mm)
26 W / 35 W / 40 W	170	254

All dimensions are in mm
Tolerance: ± 5 mm