

SAUCER NEO

180 W / 200 W

Energy saving, environment friendly & robust Mediumbay / Highbay LED luminaire with high efficacy.



PRODUCT SPECIFICATIONS

Features & Benefits

- Better lumens & longer lamp life
- High efficacy & lower power consumption
- Delivers high brightness & excellent illumination
- No harmful UV & IR radiations
- Environment friendly as it does not contain Mercury
- Instant light with low running temperatures
- Operating temperature: -10° C to +50° C
- Operating voltage range: 140 -270 V
- Average life $L_{70}B_{50}$: 50000 hours

Housing

Aluminum alloy pressure die casted housing for better heat dissipation and aesthetic appeal.

Finish

The fixture is epoxy powder coated with colour munshell grey finish.

Light source

High efficiency long life LEDs with lumen efficacy of >150 lm/W with view angle 120° to ensure better uniformity of light distribution.

Optics

High quality PC lens with optional narrow & wide beam angles for uniform distribution (For Detailed photometric data, please refer LM 79 report & IES file).

Cover

Tempered protective toughened glass, thermal shock and impact resistant fixed to the housing with SS screws.

Electronic driver

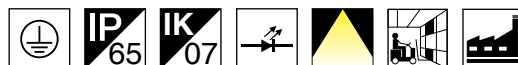
Built-In Potted IP67 electronic LED driver with APFC, lower THD, Open Circuit Protection, Over Voltage Protection, Surge Voltage Protection upto 10 kV with integral SPD & other safety test as per IS 15885 Part-2/Sec 13, IEC60598-1, 61547, 61347-2-13, EN 55015.

Mounting

Suspended by means of heavy duty nickel plated, forged eye-bolt provided with the fixture.

Applications

- Cement & steel plants
- Ware houses
- Factories & assembly lines
- Toll plazas



Green
LED | 180 W / 200 W
Life **50000 hours** | HighEfficiency



TECHNICAL DATA

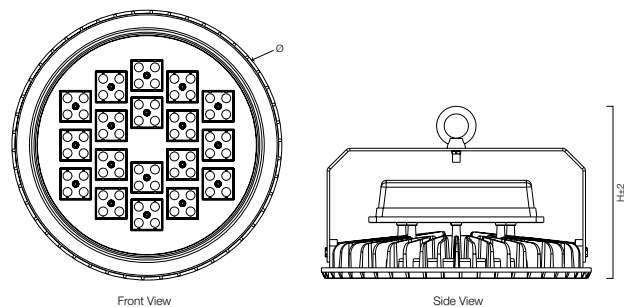
Ordering Code	System Power (W)	Beam Type:	Nominal Voltage (V~)	Mains Current (A)	Power Factor	Colour Temp. (CCT)	CRI (Ra)	System Lumens (lm)	Colour of Fixture	System Luminous Efficacy lm/ W
SAUCERNEOP180WLED75760DTOLTG	180 W	Narrow Beam	240	0.790	≥0.95	5700 K	≥70	24300	Grey	≥135
SAUCERNEOP180WLED75790DTOLTG	180 W	Wide Beam	240	0.790	≥0.95	5700 K	≥70	24300	Grey	≥135
SAUCERNEOP200WLED75760DTOLTG	200 W	Narrow Beam	240	0.880	≥0.95	5700 K	≥70	26000	Grey	≥130
SAUCERNEOP200WLED75790DTOLTG	200 W	Wide Beam	240	0.880	≥0.95	5700 K	≥70	26000	Grey	≥130

IS 10322 (Part 5/Sec.1): 2012



Driver code: LSCELDOX0246 for 180 W & LSCELDOX0272 200 W.

TECHNICAL DRAWING



System Power	Ø (mm)	Width w (mm)
180 W / 200 W	424	270

All dimensions are in mm
Tolerance: ± 5 mm

PHOTOMETRIC DRAWING

