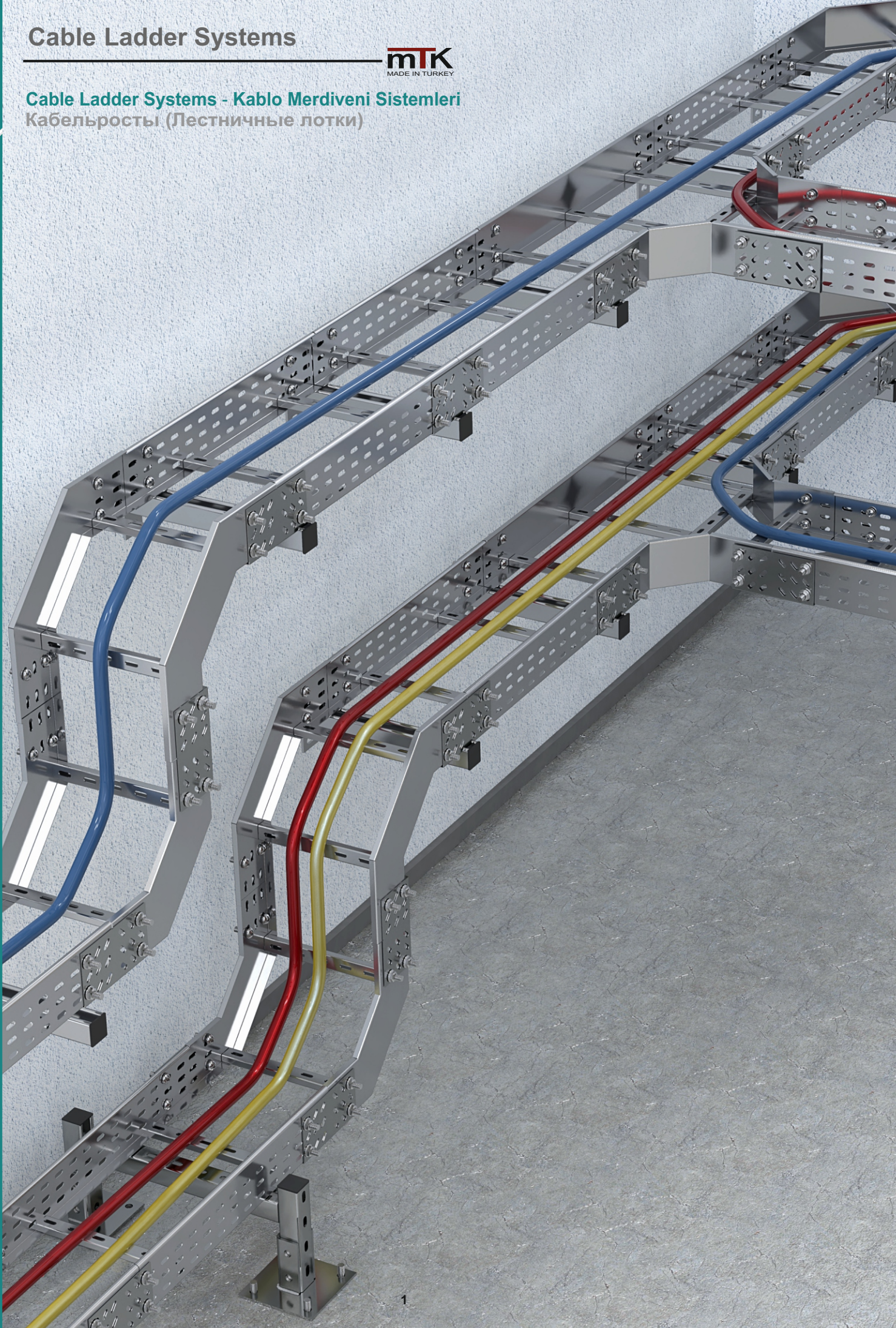


# Cable Ladder Systems

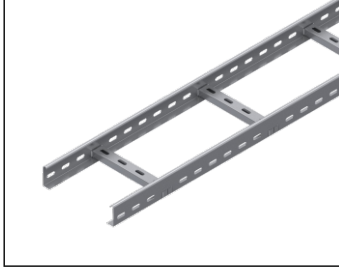


Cable Ladder Systems - Kablo Merdiveni Sistemleri  
Кабельросты (Лестничные лотки)

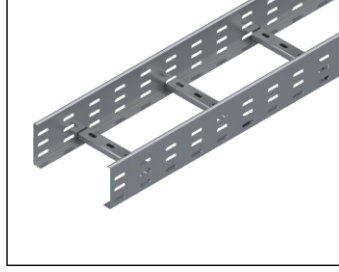


## Cable Ladder Systems - Kablo Merdiveni Sistemleri

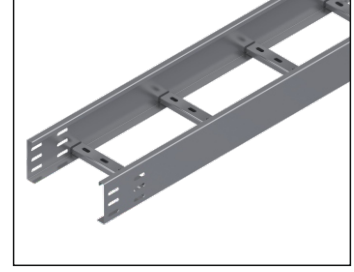
### Кабельросты (Лестничные лотки)



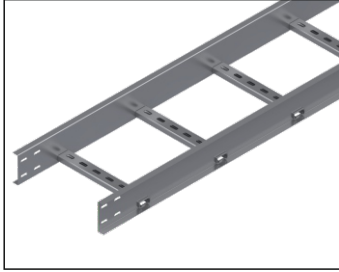
PKM



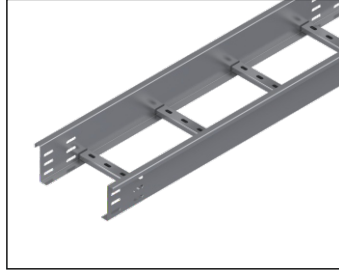
SKM



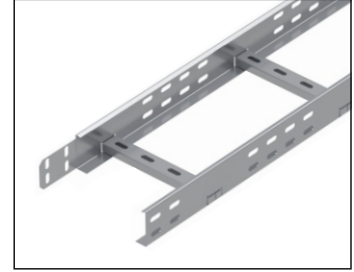
UKM



CKM



ZKM



FKM

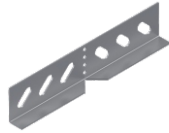
### Accessories

**Straight Connector**  
Ek Elemanı



KBE

**Adjustable horizontal connector**  
Yatay seviye deęiřtirme eki



BYD

**Adjustable Vertical Connector**  
Dikey Seviye Deęiřtirme Eki



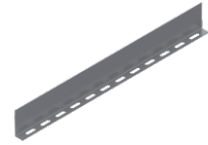
BDD

**Reducer Connector - Single Type**  
Reduksiyon



RT

**Barrier Strip**  
Separatör



SEP

**Stop End**  
Sonlandırma



SON

**Fixing unit**  
Merdiveni konsola sabitleme



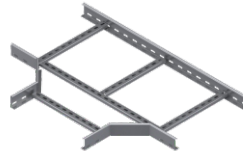
MT/1

**90° Hor. Ladder bend**  
90° Yat. merdiven dönüřü



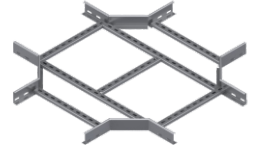
PM90

**Tee Hor. Ladder bend**  
T merdiven dönüřü



PMT

**Cross bend cover**  
Dörtlü merdiven dönüřü



PMD

**Vertical inside 90° Ladder bend**  
90° Dikey iç bükey merdiven dönüřü



PMIS

**Vertical outside 90° Ladder bend**  
90° Dikey dış bükey merdiven dönüřü



PMDS

**Vertical inside 45° Ladder bend**  
45° Dikey iç bükey merdiven dönüřü



PMIS45

**Vertical outside 45° Ladder bend**  
45° Dikey dış bükey merdiven dönüřü



PMDS45

**Modular Riser**  
Modüler iniř-çıkıř



PMMB

## Cable Ladder

Kablo Merdiveni - Кабельности (Лестничные лотки)



**Important!**  
Joining cable tray sections together only through the use of couplers 2 pcs for 1 Length  
To install cable tray - straight use Screw Sets CFS M6 or CFS M8

### Pre - Galvanised

PKM ... H50... 1.2mm					PKM ... H50... 1.5mm				
CODE	Width W mm	Length L mm	KG 1m	pcs	CODE	Width W mm	Length L mm	KG 1m	pcs
PKM 510 12 PG	100	3000	1.38	2	PKM 510 15 PG	100	3000	1.73	2
PKM 515 12 PG	150	3000	1.47	2	PKM 515 15 PG	150	3000	1.84	2
PKM 520 12 PG	200	3000	1.56	2	PKM 520 15 PG	200	3000	1.95	2
PKM 525 12 PG	250	3000	1.65	2	PKM 525 15 PG	250	3000	2.06	2
PKM 530 12 PG	300	3000	1.73	2	PKM 530 15 PG	300	3000	2.17	2
PKM 540 12 PG	400	3000	1.91	2	PKM 540 15 PG	400	3000	2.39	2
PKM 545 12 PG	450	3000	2.00	2	PKM 545 15 PG	450	3000	2.50	2
PKM 550 12 PG	500	3000	2.08	2	PKM 550 15 PG	500	3000	2.61	2
PKM 560 12 PG	600	3000	2.26	2	PKM 560 15 PG	600	3000	2.83	2

## Cable Ladder

Kablo Merdiveni - Кабельности (Лестничные лотки)

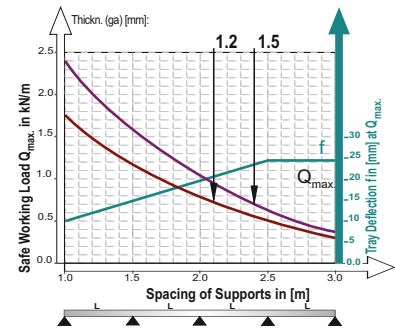
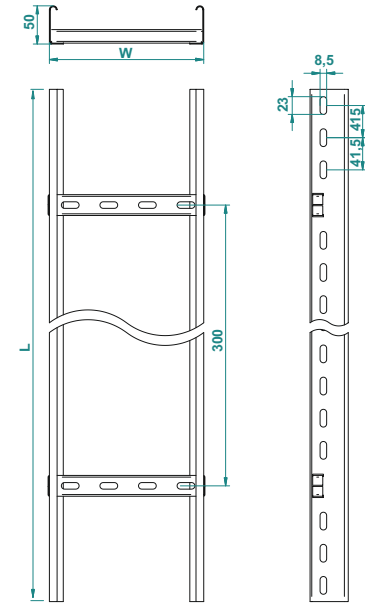


**Important!**  
To instal cable tray - bend use Screw Sets CFS M6 or CFS M8

### Integrated Type Pre - Galvanised

FKM ... H50... 1.2mm					FKM ... H50... 1.5mm				
CODE	Width W mm	Length L mm	KG 1m	pcs	CODE	Width W mm	Length L mm	KG 1m	pcs
FKM 510 12 PG	100	3000	1.38	2	FKM 510 15 PG	100	3000	1.73	2
FKM 515 12 PG	150	3000	1.47	2	FKM 515 15 PG	150	3000	1.84	2
FKM 520 12 PG	200	3000	1.56	2	FKM 520 15 PG	200	3000	1.95	2
FKM 525 12 PG	250	3000	1.65	2	FKM 525 15 PG	250	3000	2.06	2
FKM 530 12 PG	300	3000	1.73	2	FKM 530 15 PG	300	3000	2.17	2
FKM 540 12 PG	400	3000	1.91	2	FKM 540 15 PG	400	3000	2.39	2
FKM 545 12 PG	450	3000	2.00	2	FKM 545 15 PG	450	3000	2.50	2
FKM 550 12 PG	500	3000	2.08	2	FKM 550 15 PG	500	3000	2.61	2
FKM 560 12 PG	600	3000	2.26	2	FKM 560 15 PG	600	3000	2.83	2

### PKM H50



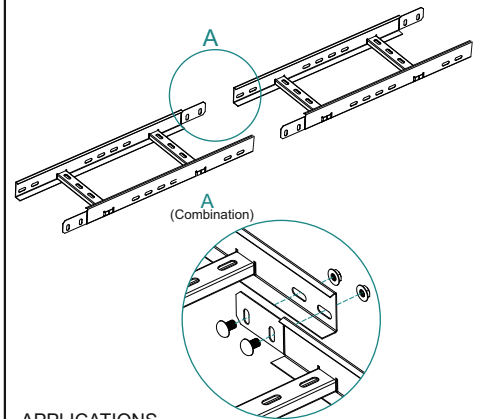
This diagram comply with IEC 61537 with connection to 1/5 of the span and the end span = 0,8x the span

Q = max. admissible load (kg/m)  
L = support distance (m)  
f = Deflection (mm) / Max. deflection = L/100  
Safety co-efficient = 1.5

Width	Usable Cross-Section
50	23 cm <sup>2</sup>
100	48 cm <sup>2</sup>
150	73 cm <sup>2</sup>
200	98 cm <sup>2</sup>
300	148 cm <sup>2</sup>
400	198 cm <sup>2</sup>
500	248 cm <sup>2</sup>
600	298 cm <sup>2</sup>

### FKM H50

Quick Fixing Method (without coupler)



**APPLICATIONS**  
Cable routing

**MATERIAL**  
Steel, strip-galv. acc. to the Sendzimir method to TS-EN 10346:2011 (PG)

Available finishes:  
HDG-steel, hot-dip galv. to TS-EN ISO 1461:2011 (HDG)  
SS- stainless steel AISI 304L and AISI 316L (SS)  
EP- powder coating in a full range of colours (RAL)

Thickn. (ga) [mm]: 1.2 1.5

## 90° Horizontal Bend of Cable Ladder

90° Merdiven Yatay Dönüş Elemanı - Угол кабельроста горизонтальный 90°

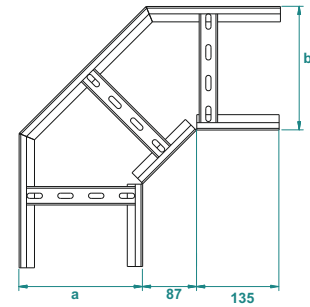


### Integrated Type

Important!  
Joining cable tray sections together only through the use of couplers and Screw Sets CFS M6 or CFS M8

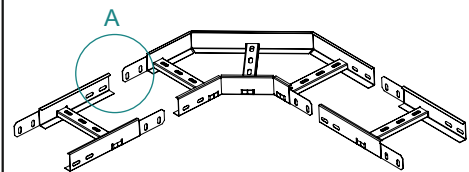
Important!  
To instal cable tray - bend use Screw Sets CFS M6 or CFS M8

### PM90 H50

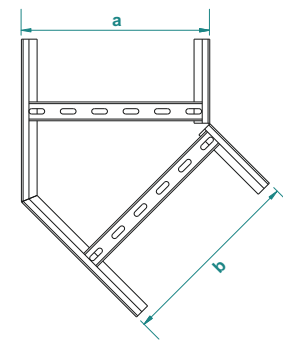


### MF90 H50

Quick Fixing Method (without coupler)

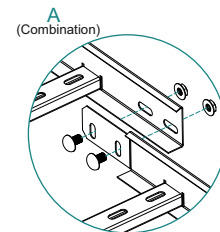
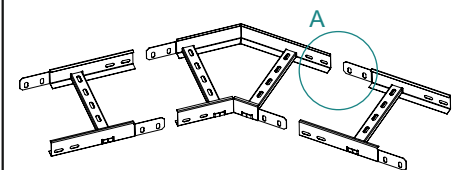


### PM45 H50



### MF45 H50

Quick Fixing Method (without coupler)



APPLICATIONS  
Cable routing

MATERIAL  
Steel, strip-galv. acc. to the Sendzimir method to TS-EN 10346:2011 (PG)

Available finishes:  
HDG-steel, hot-dip galv. to TS-EN ISO 1461:2011 (HDG)  
SS- stainless steel AISI 304L and AISI 316L (SS)  
EP- powder coating in a full range of colours (RAL)

Thickn. (ga) [mm]: **1.2 | 1.5**

### Pre - Galvanised

PM90 ...	H50...	1.2mm		
CODE	Width W a=b	kg 1 pc	kg 1 pc	pcs
PM90 510 12 PG	100	0.74	1	1
PM90 515 12 PG	150	0.89	1	1
PM90 520 12 PG	200	1.03	1	1
PM90 525 12 PG	250	1.18	1	1
PM90 530 12 PG	300	1.32	1	1
PM90 540 12 PG	400	1.62	1	1
PM90 545 12 PG	450	1.76	1	1
PM90 550 12 PG	500	1.91	1	1
PM90 560 12 PG	600	2.21	1	1

		1.5mm		
CODE	Width W a=b	kg 1 pc	kg 1 pc	pcs
PM90 510 15 PG	100	0.93	1	1
PM90 515 15 PG	150	1.10	1	1
PM90 520 15 PG	200	1.29	1	1
PM90 525 15 PG	250	1.47	1	1
PM90 530 15 PG	300	1.66	1	1
PM90 540 15 PG	400	2.02	1	1
PM90 545 15 PG	450	2.20	1	1
PM90 550 15 PG	500	2.39	1	1
PM90 560 15 PG	600	2.75	1	1

### Pre - Galvanised

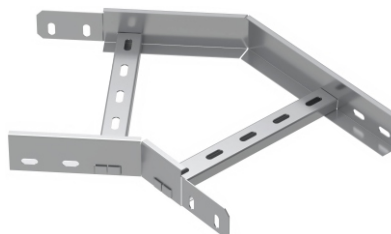
MF90 ...	H50...	1.2mm		
CODE	Width W a=b	kg 1 pc	kg 1 pc	pcs
MF90 510 12 PG	100	0.74	1	1
MF90 515 12 PG	150	0.89	1	1
MF90 520 12 PG	200	1.03	1	1
MF90 525 12 PG	250	1.18	1	1
MF90 530 12 PG	300	1.32	1	1
MF90 540 12 PG	400	1.62	1	1
MF90 545 12 PG	450	1.76	1	1
MF90 550 12 PG	500	1.91	1	1
MF90 560 12 PG	600	2.21	1	1

		1.5mm		
CODE	Width W a=b	kg 1 pc	kg 1 pc	pcs
MF90 510 15 PG	100	0.93	1	1
MF90 515 15 PG	150	1.10	1	1
MF90 520 15 PG	200	1.29	1	1
MF90 525 15 PG	250	1.47	1	1
MF90 530 15 PG	300	1.66	1	1
MF90 540 15 PG	400	2.02	1	1
MF90 545 15 PG	450	2.20	1	1
MF90 550 15 PG	500	2.39	1	1
MF90 560 15 PG	600	2.75	1	1

## 45° Horizontal Bend of Cable Ladder

45° Merdiven Yatay Dönüş Elemanı - Угол кабельроста горизонтальный 45°



### Integrated Type

Important!  
Joining cable tray sections together only through the use of couplers and Screw Sets CFS M6 or CFS M8

Important!  
To instal cable tray - bend use Screw Sets CFS M6 or CFS M8

### Pre - Galvanised

PM45 ...	H50...	1.2mm		
CODE	Width W a=b	kg 1 pc	kg 1 pc	pcs
PM45 510 12 PG	100	0.66	1	1
PM45 515 12 PG	150	0.74	1	1
PM45 520 12 PG	200	0.83	1	1
PM45 525 12 PG	250	0.91	1	1
PM45 530 12 PG	300	1.00	1	1
PM45 540 12 PG	400	1.17	1	1
PM45 545 12 PG	450	1.26	1	1
PM45 550 12 PG	500	1.34	1	1
PM45 560 12 PG	600	1.52	1	1

		1.5mm		
CODE	Width W a=b	kg 1 pc	kg 1 pc	pcs
PM45 510 15 PG	100	0.82	1	1
PM45 515 15 PG	150	0.93	1	1
PM45 520 15 PG	200	1.03	1	1
PM45 525 15 PG	250	1.15	1	1
PM45 530 15 PG	300	1.25	1	1
PM45 540 15 PG	400	1.46	1	1
PM45 545 15 PG	450	1.58	1	1
PM45 550 15 PG	500	1.68	1	1
PM45 560 15 PG	600	1.90	1	1

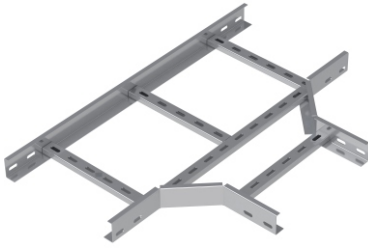
MF45 ...	H50...	1.2mm		
CODE	Width W a=b	kg 1 pc	kg 1 pc	pcs
MF45 510 12 PG	100	0.66	1	1
MF45 515 12 PG	150	0.74	1	1
MF45 520 12 PG	200	0.83	1	1
MF45 525 12 PG	250	0.91	1	1
MF45 530 12 PG	300	1.00	1	1
MF45 540 12 PG	400	1.17	1	1
MF45 545 12 PG	450	1.26	1	1
MF45 550 12 PG	500	1.34	1	1
MF45 560 12 PG	600	1.52	1	1

		1.5mm		
CODE	Width W a=b	kg 1 pc	kg 1 pc	pcs
MF45 510 15 PG	100	0.82	1	1
MF45 515 15 PG	150	0.93	1	1
MF45 520 15 PG	200	1.03	1	1
MF45 525 15 PG	250	1.15	1	1
MF45 530 15 PG	300	1.25	1	1
MF45 540 15 PG	400	1.46	1	1
MF45 545 15 PG	450	1.58	1	1
MF45 550 15 PG	500	1.68	1	1
MF45 560 15 PG	600	1.90	1	1

## Tea Horizontal Bend of Cable Ladder

"T" Merdiven Yatay Dönüş Elemanı - T-отвод кабельроста горизонтальный



Important!

Joining cable tray sections together only through the use of couplers and Screw Sets CFS M6 or CFS M8

### Integrated Type

Important!

To instal cable tray - bend use Screw Sets CFS M6 or CFS M8

### Pre - Galvanised

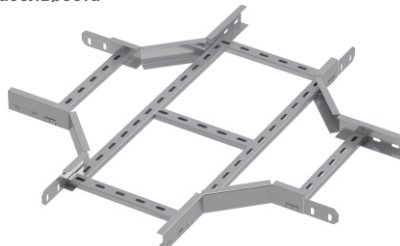
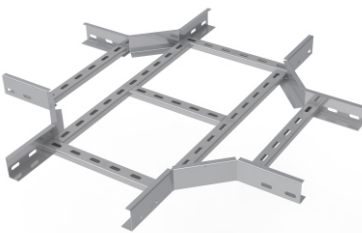
PMT ...	H50...	1.2mm		
CODE	Width W a=b=c	kg 1 pc	pcs	
PMT 510 12 PG	100	0.94	1	
PMT 515 12 PG	150	1.07	1	
PMT 520 12 PG	200	1.20	1	
PMT 525 12 PG	250	1.56	1	
PMT 530 12 PG	300	1.72	1	
PMT 540 12 PG	400	2.31	1	
PMT 545 12 PG	450	2.51	1	
PMT 550 12 PG	500	2.71	1	
PMT 560 12 PG	600	3.09	1	
		1.5mm		
PMT 510 15 PG	100	1.13	1	
PMT 515 15 PG	150	1.26	1	
PMT 520 15 PG	200	1.40	1	
PMT 525 15 PG	250	1.77	1	
PMT 530 15 PG	300	1.94	1	
PMT 540 15 PG	400	2.54	1	
PMT 545 15 PG	450	2.75	1	
PMT 550 15 PG	500	2.95	1	
PMT 560 15 PG	600	3.36	1	

### Pre - Galvanised

MFT ...	H50...	1.2mm		
CODE	Width W a=b=c	kg 1 pc	pcs	
MFT 510 12 PG	100	0.94	1	
MFT 515 12 PG	150	1.07	1	
MFT 520 12 PG	200	1.20	1	
MFT 525 12 PG	250	1.56	1	
MFT 530 12 PG	300	1.72	1	
MFT 540 12 PG	400	2.31	1	
MFT 545 12 PG	450	2.51	1	
MFT 550 12 PG	500	2.71	1	
MFT 560 12 PG	600	3.09	1	
		1.5mm		
MFT 510 15 PG	100	1.13	1	
MFT 515 15 PG	150	1.26	1	
MFT 520 15 PG	200	1.40	1	
MFT 525 15 PG	250	1.77	1	
MFT 530 15 PG	300	1.94	1	
MFT 540 15 PG	400	2.54	1	
MFT 545 15 PG	450	2.75	1	
MFT 550 15 PG	500	2.95	1	
MFT 560 15 PG	600	3.36	1	

## Cross Bend of Cable Ladder

Dörtlü Merdiven Dönüş Elemanı - Крестовина кабельроста



Important!

Joining cable tray sections together only through the use of couplers and Screw Sets CFS M6 or CFS M8

### Integrated Type

Important!

To instal cable tray - bend use Screw Sets CFS M6 OR CFS M8

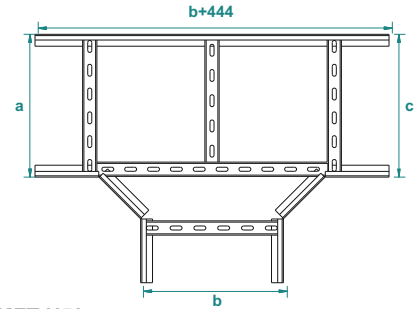
### Pre - Galvanised

PMD ...	H50...	1.2mm		
CODE	Width W a=b=c=d	kg 1 pc	pcs	
PMD 510 12 PG	100	1.16	1	
PMD 515 12 PG	150	1.29	1	
PMD 520 12 PG	200	1.42	1	
PMD 525 12 PG	250	1.79	1	
PMD 530 12 PG	300	1.95	1	
PMD 540 12 PG	400	2.28	1	
PMD 545 12 PG	450	2.81	1	
PMD 550 12 PG	500	3.00	1	
PMD 560 12 PG	600	3.40	1	
		1.5mm		
PMD 510 15 PG	100	1.38	1	
PMD 515 15 PG	150	1.51	1	
PMD 520 15 PG	200	1.64	1	
PMD 525 15 PG	250	2.00	1	
PMD 530 15 PG	300	2.17	1	
PMD 540 15 PG	400	2.50	1	
PMD 545 15 PG	450	3.02	1	
PMD 550 15 PG	500	3.22	1	
PMD 560 15 PG	600	3.62	1	

### Pre - Galvanised

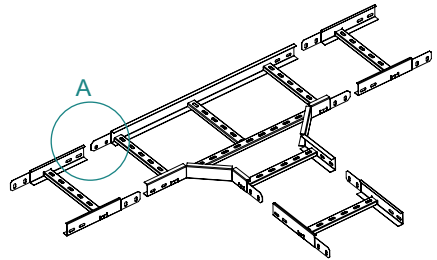
MFD ...	H50...	1.2mm		
CODE	Width W a=b=c=d	kg 1 pc	pcs	
MFD 510 12 PG	100	1.16	1	
MFD 515 12 PG	150	1.29	1	
MFD 520 12 PG	200	1.42	1	
MFD 525 12 PG	250	1.79	1	
MFD 530 12 PG	300	1.95	1	
MFD 540 12 PG	400	2.28	1	
MFD 545 12 PG	450	2.81	1	
MFD 550 12 PG	500	3.00	1	
MFD 560 12 PG	600	3.40	1	
		1.5mm		
MFD 510 15 PG	100	1.38	1	
MFD 515 15 PG	150	1.51	1	
MFD 520 15 PG	200	1.64	1	
MFD 525 15 PG	250	2.00	1	
MFD 530 15 PG	300	2.17	1	
MFD 540 15 PG	400	2.50	1	
MFD 545 15 PG	450	3.02	1	
MFD 550 15 PG	500	3.22	1	
MFD 560 15 PG	600	3.62	1	

### PMT H50

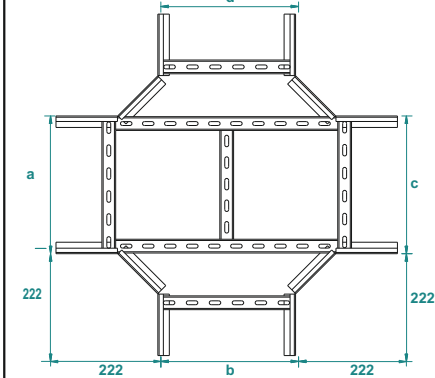


### MFT H50

Quick Fixing Method (without coupler)

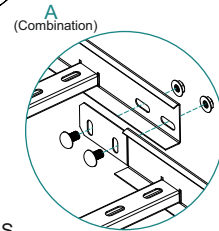
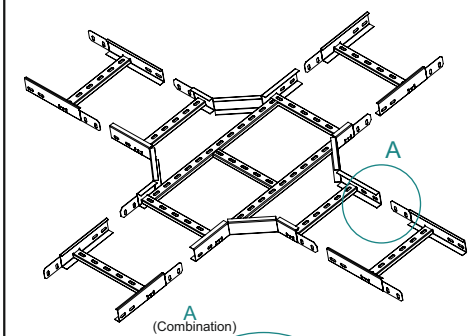


### PMD H50



### MFD H50

Quick Fixing Method (without coupler)



### APPLICATIONS

Cable routing

### MATERIAL

Steel, strip-galv. acc. to the Sendzimir method to TS-EN 10346:2011 (PG)

Available finishes:

HDG-steel, hot-dip galv. to TS-EN ISO 1461:2011 (HDG)

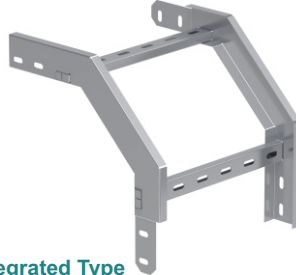
SS- stainless steel AISI 304L and AISI 316L (SS)

EP- powder coating in a full range of colours (RAL)

Thickn. (ga) [mm]: **1.2 1.5**

## Vertical 90° Outside Bend of Cable Ladder (Stable)

90° Dikey Merdiven Dış Bükey Elemanı - (Sabit) - Арка фиксированная кабельроста, внешняя 90°



### Integrated Type

**Important!**  
Joining cable tray sections together only through the use of couplers and Screw Sets CFS M6 or CFS M8

**Important!**  
To instal cable tray - bend use Screw Sets CFS M6 or CFS M8

### Pre - Galvanised

PMDS ...	H50...	1.2mm		
CODE	Width W a mm	KG 1 pc	pcs	
PMDS 510 12 PG	100	0.88	1	
PMDS 515 12 PG	150	1.96	1	
PMDS 520 12 PG	200	1.04	1	
PMDS 525 12 PG	250	1.12	1	
PMDS 530 12 PG	300	1.19	1	
PMDS 540 12 PG	400	1.54	1	
PMDS 545 12 PG	450	1.62	1	
PMDS 550 12 PG	500	1.70	1	
PMDS 560 12 PG	600	1.85	1	

		1.5mm		
CODE	Width W a mm	KG 1 pc	pcs	
PMDS 510 15 PG	100	1.10	1	
PMDS 515 15 PG	150	1.20	1	
PMDS 520 15 PG	200	1.30	1	
PMDS 525 15 PG	250	1.40	1	
PMDS 530 15 PG	300	1.50	1	
PMDS 540 15 PG	400	1.92	1	
PMDS 545 15 PG	450	2.02	1	
PMDS 550 15 PG	500	2.12	1	
PMDS 560 15 PG	600	2.31	1	

### Pre - Galvanised

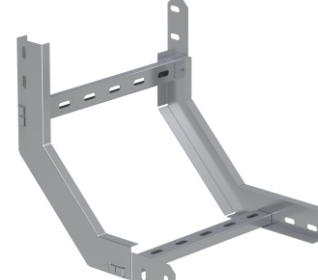
MFDS ...	H50...	1.2mm		
CODE	Width W a mm	KG 1 pc	pcs	
MFDS 510 12 PG	100	0.88	1	
MFDS 515 12 PG	150	1.96	1	
MFDS 520 12 PG	200	1.04	1	
MFDS 525 12 PG	250	1.12	1	
MFDS 530 12 PG	300	1.19	1	
MFDS 540 12 PG	400	1.54	1	
MFDS 545 12 PG	450	1.62	1	
MFDS 550 12 PG	500	1.70	1	
MFDS 560 12 PG	600	1.85	1	

		1.5mm		
CODE	Width W a mm	KG 1 pc	pcs	
MFDS 510 15 PG	100	1.10	1	
MFDS 515 15 PG	150	1.20	1	
MFDS 520 15 PG	200	1.30	1	
MFDS 525 15 PG	250	1.40	1	
MFDS 530 15 PG	300	1.50	1	
MFDS 540 15 PG	400	1.92	1	
MFDS 545 15 PG	450	2.02	1	
MFDS 550 15 PG	500	2.12	1	
MFDS 560 15 PG	600	2.31	1	

## Vertical 90° Inside Bend of Cable Ladder (Stable)

90° Dikey Merdiven İç Bükey Elemanı - (Sabit) - Арка фиксированная кабельроста, внутренняя 90°



### Integrated Type

**Important!**  
Joining cable tray sections together only through the use of couplers and Screw Sets CFS M6 or CFS M8

**Important!**  
To instal cable tray - bend use Screw Sets CFS M6 OR CFS M8

### Pre - Galvanised

PMIS...	H50...	1.2mm		
CODE	Width W a mm	KG 1 pc	pcs	
PMIS 510 12 PG	100	0.88	1	
PMIS 515 12 PG	150	0.96	1	
PMIS 520 12 PG	200	1.04	1	
PMIS 525 12 PG	250	1.12	1	
PMIS 530 12 PG	300	1.19	1	
PMIS 540 12 PG	400	1.54	1	
PMIS 545 12 PG	450	1.62	1	
PMIS 550 12 PG	500	1.70	1	
PMIS 560 12 PG	600	1.85	1	

		1.5mm		
CODE	Width W a=b	KG 1 pc	pcs	
PMIS 510 15 PG	100	1.10	1	
PMIS 515 15 PG	150	1.20	1	
PMIS 520 15 PG	200	1.30	1	
PMIS 525 15 PG	250	1.40	1	
PMIS 530 15 PG	300	1.50	1	
PMIS 540 15 PG	400	1.92	1	
PMIS 545 15 PG	450	2.02	1	
PMIS 550 15 PG	500	2.12	1	
PMIS 560 15 PG	600	2.31	1	

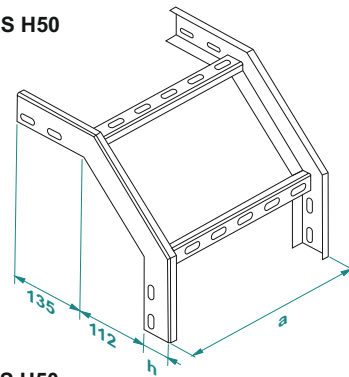
### Pre - Galvanised

MFIS...	H50...	1.2mm		
CODE	Width W a mm	KG 1 pc	pcs	
MFIS 510 12 PG	100	0.88	1	
MFIS 515 12 PG	150	0.96	1	
MFIS 520 12 PG	200	1.04	1	
MFIS 525 12 PG	250	1.12	1	
MFIS 530 12 PG	300	1.19	1	
MFIS 540 12 PG	400	1.54	1	
MFIS 545 12 PG	450	1.62	1	
MFIS 550 12 PG	500	1.70	1	
MFIS 560 12 PG	600	1.85	1	

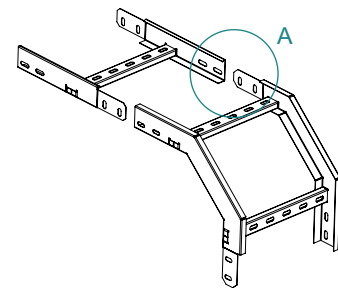
		1.5mm		
CODE	Width W a=b	KG 1 pc	pcs	
MFIS 510 15 PG	100	1.10	1	
MFIS 515 15 PG	150	1.20	1	
MFIS 520 15 PG	200	1.30	1	
MFIS 525 15 PG	250	1.40	1	
MFIS 530 15 PG	300	1.50	1	
MFIS 540 15 PG	400	1.92	1	
MFIS 545 15 PG	450	2.02	1	
MFIS 550 15 PG	500	2.12	1	
MFIS 560 15 PG	600	2.31	1	

### PMDS H50

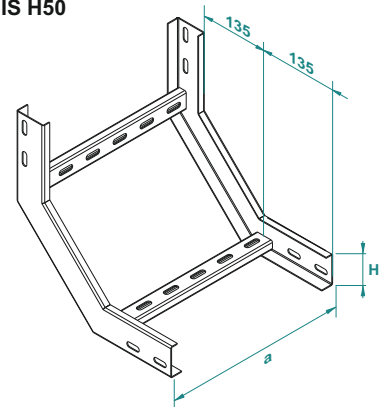


### MFDS H50

Quick Fixing Method (without coupler)

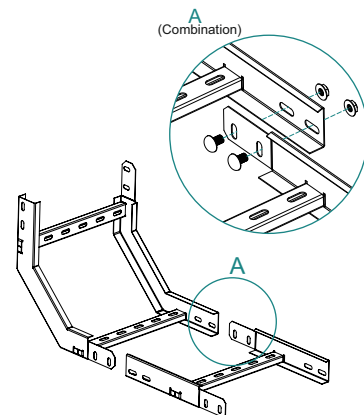


### PMIS H50



### MFIS H50

Quick Fixing Method (without Coupler)



### APPLICATIONS

Cable routing

### MATERIAL

Steel, strip-galv. acc. to the Sendzimir method to TS-EN 10346:2011 (PG)

Available finishes:

HDG-steel, hot-dip galv. to TS-EN ISO 1461:2011 (HDG)

SS- stainless steel AISI 304L and AISI 316L (SS)

EP- powder coating in a full range of colours (RAL)

Thickn. (ga) [mm]: 1.2 | 1.5

## Modular Adjustable Cable Ladder Riser

Modüler Merdiven İniş-Çıkış Elemanı - Шарнирный элемент дуги кабельроста

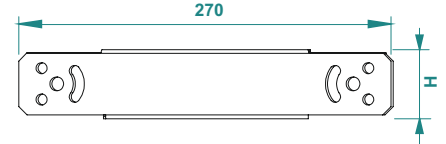
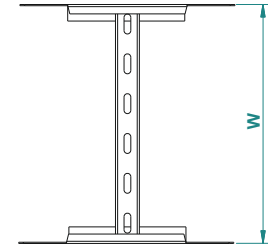


**Important!**  
To install cable tray - bend use Screw Sets CFS M6 or CFS M8

### Pre - Galvanised

PMMB ... H50... 1.2mm				PMMB ... H50... 1.5mm			
CODE	Width W a mm	KG 1 pc	pcs	CODE	Width W a mm	KG 1 pc	pcs
PMMB 510 12 PG	100	0.41	1	PMMB 510 15 PG	100	0.52	1
PMMB 515 12 PG	150	0.44	1	PMMB 515 15 PG	150	0.55	1
PMMB 520 12 PG	200	0.47	1	PMMB 520 15 PG	200	0.59	1
PMMB 525 12 PG	250	0.49	1	PMMB 525 15 PG	250	0.62	1
PMMB 530 12 PG	300	0.52	1	PMMB 530 15 PG	300	0.65	1
PMMB 540 12 PG	400	0.57	1	PMMB 540 15 PG	400	0.72	1
PMMB 545 12 PG	450	0.60	1	PMMB 545 15 PG	450	0.75	1
PMMB 550 12 PG	500	0.62	1	PMMB 550 15 PG	500	0.79	1
PMMB 560 12 PG	600	0.68	1	PMMB 560 15 PG	600	0.85	1

### PMMB H50



## Seperator

Seperatör - Перегородка

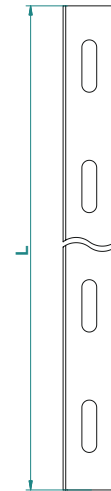
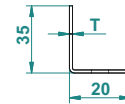


To Install Seperator use CFS bolts and nuts. ( M6 or M8 )

### Pre - Galvanised

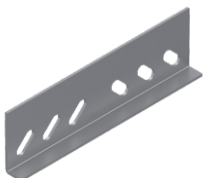
SEP 1 ... H35 1.0mm				SEP 1 ... H35 1.5mm			
CODE	Length L mm	KG 1m	pcs	CODE	Length L mm	KG 1m	pcs
SEP 135 10 PG	3000	0.40	1	SEP 135 15 PG	3000	0.59	1

### SEP 1 H35



## Straight Connector (Coupler)

Birleştirme Elemanı - Прямой соединитель

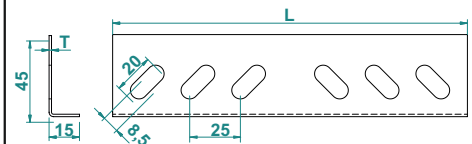


To Install one lenght ;use 2 pieces of KBE connector 8 sets of CFS bolts and nuts. (M6 or M8)

### Pre - Galvanised

KBE 2 ... H50 1.2mm				KBE 2 ... H50 1.5mm			
CODE	Length L mm	KG 1pc	pcs	CODE	Length L mm	KG 1pc	pcs
KBE 250 12 PG	175	0.09	100	KBE 250 15 PG	175	0.11	100

### KBE 2 H50



M6x15 Round head squire neck bolt & M6 Flanged nut

### Electro - Galvanised

CFS M6				CFS M8			
CODE	Size	Length L mm	KG 1Set	CODE	Size	Length L mm	KG 1Set
CFS M6 EG	M6	15	0,008	CFS M8 EG	M8	15	0,014

### APPLICATIONS

Cable routing

### MATERIAL

Steel, strip-galv. acc. to the Sendzimir method to TS-EN 10346:2011 (PG)

Available finishes:

HDG-steel, hot-dip galv. to TS-EN ISO 1461:2011 (HDG)  
SS- stainless steel AISI 304L and AISI 316L (SS)  
EP- powder coating in a full range of colours (RAL)

Thickn. (ga) [mm]: 1.2 | 1.5