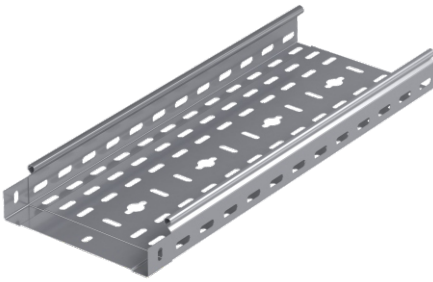


Perforated Cable Trays - Return Flanges

Ağır Hizmet Kablo Kanalı - Перфорированные лотки

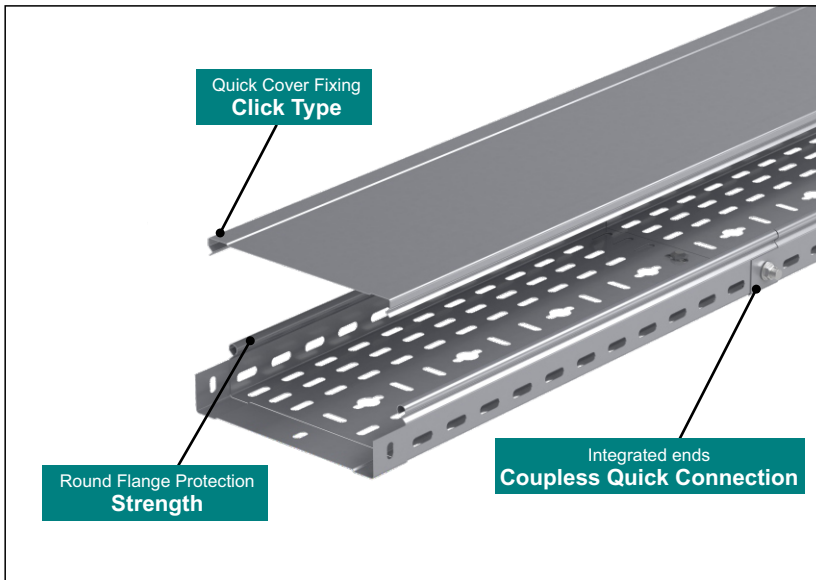


Important!
Joining cable tray sections together only use
Screw Sets CFS M6 or CFS M8

Pre - Galvanised

FPK ... H60		0.6mm			
CODE	Width a mm	Length L mm	KG 1 pc	pcs	
FPK 605 06 PG	50	3000	0.71	2	
FPK 607 06 PG	75	3000	0.81	2	
FPK 610 06 PG	100	3000	0.90	2	
FPK 612 06 PG	125	3000	0.99	2	
FPK 615 06 PG	150	3000	1.09	2	
FPK 620 06 PG	200	3000	1.28	2	
		0.7mm			
FPK 605 07 PG	50	3000	0.89	2	
FPK 607 07 PG	75	3000	1.01	2	
FPK 610 07 PG	100	3000	1.12	2	
FPK 612 07 PG	125	3000	1.24	2	
FPK 615 07 PG	150	3000	1.36	2	
FPK 620 07 PG	200	3000	1.59	2	
		0.8mm			
FPK 605 08 PG	50	3000	0.94	2	
FPK 607 08 PG	75	3000	1.07	2	
FPK 610 08 PG	100	3000	1.19	2	
FPK 612 08 PG	125	3000	1.32	2	
FPK 615 08 PG	150	3000	1.45	2	
FPK 620 08 PG	200	3000	1.70	2	
FPK 622 08 PG	225	3000	1.82	2	
FPK 625 08 PG	250	3000	1.95	2	
FPK 630 08 PG	300	3000	2.20	2	

FPK ... H60		1.0mm			
CODE	Width a mm	Length L mm	KG 1 pc	pcs	
FPK 605 10 PG	50	3000	1.18	2	
FPK 607 10 PG	75	3000	1.33	2	
FPK 610 10 PG	100	3000	1.49	2	
FPK 612 10 PG	125	3000	1.64	2	
FPK 615 10 PG	150	3000	1.80	2	
FPK 620 10 PG	200	3000	2.11	2	
FPK 622 10 PG	225	3000	2.27	2	
FPK 625 10 PG	250	3000	2.43	2	
FPK 630 10 PG	300	3000	2.74	2	
FPK 640 10 PG	400	3000	3.37	2	
FPK 645 10 PG	450	3000	3.53	2	
FPK 650 10 PG	500	3000	3.84	2	
FPK 660 10 PG	600	3000	4.44	2	
		1.2mm			
FPK 645 12 PG	450	3000	4.42	2	
FPK 650 12 PG	500	3000	4.80	2	
FPK 660 12 PG	600	3000	5.55	2	



FPK H60

Width	Usable Cross-Section
50	29 cm ²
100	58 cm ²
150	88 cm ²
200	118 cm ²
300	178 cm ²
400	238 cm ²
500	298 cm ²
600	358 cm ²

This diagram comply with IEC 61537 with connection to 1/5 of the span and the end span = 0,8x the span
 $Q = \text{max. admissible load (kg/m)}$
 $L = \text{support distance (m)}$
 $f = \text{Deflection (mm)} / \text{Max. deflection} = L/100$
 Safety co-efficient = 1.5

APPLICATIONS
Cable routing

MATERIAL
Steel, strip-galv. acc. to the Sendzimir method to TS-EN 10346:2011 (PG)
 Available finishes:
 HDG-steel, hot-dip galv. to TS-EN ISO 1461:2011 (HDG)
 SS- stainless steel AISI 304L and AISI 316L (SS)
 EP- powder coating in a full range of colours (RAL)
 Thickn. (ga) [mm]: **0.6 0.8 1.0 1.2**

Recommended Quantities of Bolt and Nut For Integrated Cable Tray Connections

W	H	40	50	60	75	80	85	100
50	50	2 Sets	2 Sets	2 Sets	-	-	-	-
100	50	3 Sets	3 Sets	3 Sets	5 Sets	5 Sets	5 Sets	5 Sets
150	50	3 Sets	3 Sets	3 Sets	5 Sets	5 Sets	5 Sets	5 Sets
200	50	3 Sets	3 Sets	3 Sets	5 Sets	5 Sets	5 Sets	5 Sets
250	50	3 Sets	3 Sets	3 Sets	5 Sets	5 Sets	5 Sets	5 Sets
300	50	3 Sets	3 Sets	3 Sets	5 Sets	5 Sets	5 Sets	5 Sets
400	50	5 Sets	5 Sets	5 Sets	7 Sets	7 Sets	7 Sets	7 Sets
500	50	5 Sets	5 Sets	5 Sets	7 Sets	7 Sets	7 Sets	7 Sets
600	50	5 Sets	5 Sets	5 Sets	7 Sets	7 Sets	7 Sets	7 Sets

Integrated Perforated Cable Trays - Return Flanges

Geçmeli Tip Kablo Kanalı - Интегрированные Перфорированные лотки

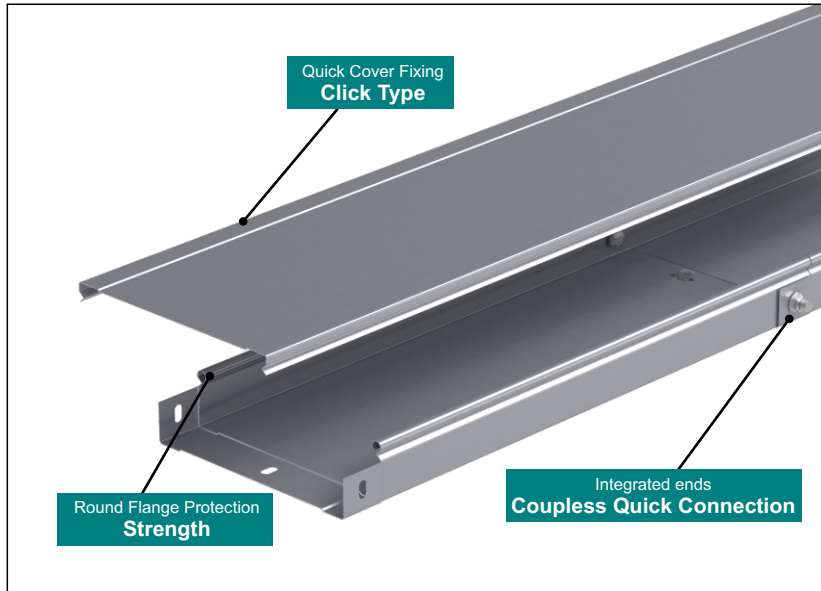


Important!
Joining cable tray sections together only use
Screw Sets CFS M6 or CFS M8

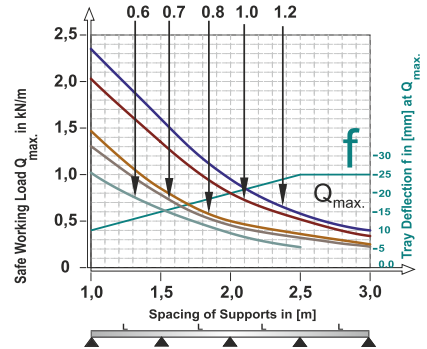
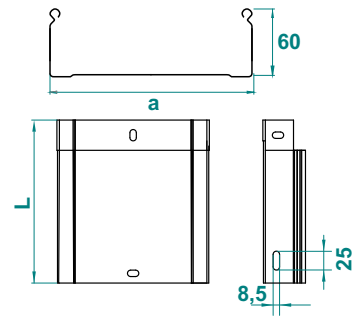
Pre - Galvanised

FDK ... H60		0.6mm			
CODE	Width a mm	Length L mm	KG 1 pc	pcs	
FDK 605 06 PG	50	3000	0.89	2	
FDK 607 06 PG	75	3000	1.01	2	
FDK 610 06 PG	100	3000	1.13	2	
FDK 612 06 PG	125	3000	1.24	2	
FDK 615 06 PG	150	3000	1.36	2	
FDK 620 06 PG	200	3000	1.60	2	
		0.7mm			
FDK 605 07 PG	50	3000	1.04	2	
FDK 607 07 PG	75	3000	1.18	2	
FDK 610 07 PG	100	3000	1.31	2	
FDK 612 07 PG	125	3000	1.45	2	
FDK 615 07 PG	150	3000	1.59	2	
FDK 620 07 PG	200	3000	1.86	2	
		0.8mm			
FDK 605 08 PG	50	3000	1.18	2	
FDK 607 08 PG	75	3000	1.34	2	
FDK 610 08 PG	100	3000	1.49	2	
FDK 612 08 PG	125	3000	1.65	2	
FDK 615 08 PG	150	3000	1.81	2	
FDK 620 08 PG	200	3000	2.12	2	
FDK 622 08 PG	225	3000	2.28	2	
FDK 625 08 PG	250	3000	2.44	2	
FDK 630 08 PG	300	3000	2.75	2	

FDK ... H60		1.0mm			
CODE	Width a mm	Length L mm	KG 1 pc	pcs	
FDK 605 10 PG	50	3000	1.47	2	
FDK 607 10 PG	75	3000	1.66	2	
FDK 610 10 PG	100	3000	1.86	2	
FDK 612 10 PG	125	3000	2.05	2	
FDK 615 10 PG	150	3000	2.25	2	
FDK 620 10 PG	200	3000	2.64	2	
FDK 622 10 PG	225	3000	2.84	2	
FDK 625 10 PG	250	3000	3.04	2	
FDK 630 10 PG	300	3000	3.43	2	
FDK 640 10 PG	400	3000	4.21	2	
FDK 645 10 PG	450	3000	4.24	2	
FDK 650 10 PG	500	3000	4.80	2	
FDK 660 10 PG	600	3000	5.55	2	
		1.2mm			
FDK 645 12 PG	450	3000	5.53	2	
FDK 650 12 PG	500	3000	6.00	2	
FDK 660 12 PG	600	3000	6.94	2	



FPK H60



Width	Usable Cross-Section
50	29 cm ²
100	58 cm ²
150	88 cm ²
200	118 cm ²
300	178 cm ²
400	236 cm ²
500	298 cm ²
600	358 cm ²

This diagram comply with IEC 61537 with connection to 1/5 of the span and the end span = 0,8x the span
 $Q = \text{max. admissible load (kg/m)}$
 $L = \text{support distance (m)}$
 $f = \text{Deflection (mm) / Max. deflection} = L/100$
 Safety co-efficient = 1.5

APPLICATIONS

Cable routing

MATERIAL

Steel, strip-galv. acc. to the Sendzimir method to TS-EN 10346:2011 (PG)

Available finishes:

HDG-steel, hot-dip galv. to TS-EN ISO 1461:2011 (HDG)
 SS- stainless steel AISI 304L and AISI 316L (SS)
 EP- powder coating in a full range of colours (RAL)

Thickn. (ga) [mm]:

0.6 | 0.8 | 1.0 | 1.2

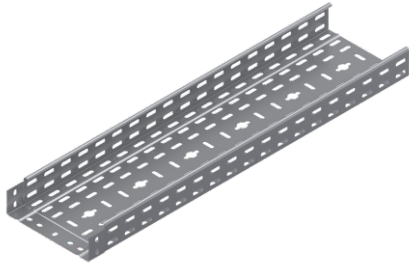
Recommended Quantities of Bolt and Nut For Integrated Cable Tray Connections

		Recommended Quantities of Bolt and Nut For Integrated Cable Tray Connections						
Width Of Cable Tray	W	H						
		40	50	60	75	80	85	100
50	2 Sets	2 Sets	2 Sets	—	—	—	—	
100	3 Sets	3 Sets	3 Sets	5 Sets	5 Sets	5 Sets	5 Sets	
150	3 Sets	3 Sets	3 Sets	5 Sets	5 Sets	5 Sets	5 Sets	
200	3 Sets	3 Sets	3 Sets	5 Sets	5 Sets	5 Sets	5 Sets	
250	3 Sets	3 Sets	3 Sets	5 Sets	5 Sets	5 Sets	5 Sets	
300	3 Sets	3 Sets	3 Sets	5 Sets	5 Sets	5 Sets	5 Sets	
400	5 Sets	5 Sets	5 Sets	7 Sets	7 Sets	7 Sets	7 Sets	
500	5 Sets	5 Sets	5 Sets	7 Sets	7 Sets	7 Sets	7 Sets	
600	5 Sets	5 Sets	5 Sets	7 Sets	7 Sets	7 Sets	7 Sets	



Integrated Perforated Cable Trays - Return Flanges

Geçmeli Tip Kablo Kanalı - Интегрированные Перфорированные лотки



Important!
Joining cable tray sections together only use
Screw Sets CFS M6 or CFS M8

Pre - Galvanised

GPK ... H60		0.6mm			
CODE	Width a mm	Length L mm	KG 1 mt	pcs	
GPK 605 06 PG	50	3000	0.71	2	
GPK 607 06 PG	75	3000	0.81	2	
GPK 610 06 PG	100	3000	0.90	2	
GPK 612 06 PG	125	3000	0.99	2	
GPK 615 06 PG	150	3000	1.09	2	
GPK 620 06 PG	200	3000	1.28	2	
		0.7mm			
GPK 605 07 PG	50	3000	0.89	2	
GPK 607 07 PG	75	3000	1.01	2	
GPK 610 07 PG	100	3000	1.12	2	
GPK 612 07 PG	125	3000	1.24	2	
GPK 615 07 PG	150	3000	1.36	2	
GPK 620 07 PG	200	3000	1.59	2	

GPK ... H60		0.8mm			
CODE	Width a mm	Length L mm	KG 1 mt	pcs	
GPK 605 08 PG	50	3000	0.94	2	
GPK 607 08 PG	75	3000	1.07	2	
GPK 610 08 PG	100	3000	1.19	2	
GPK 612 08 PG	125	3000	1.32	2	
GPK 615 08 PG	150	3000	1.45	2	
GPK 620 08 PG	200	3000	1.70	2	
GPK 622 08 PG	225	3000	1.82	2	
GPK 625 08 PG	250	3000	1.95	2	
GPK 630 08 PG	300	3000	2.20	2	

		1.0mm			
CODE	Width a mm	Length L mm	KG 1 mt	pcs	
GPK 605 10 PG	50	3000	1.18	2	
GPK 607 10 PG	75	3000	1.33	2	
GPK 610 10 PG	100	3000	1.49	2	
GPK 612 10 PG	125	3000	1.64	2	
GPK 615 10 PG	150	3000	1.80	2	
GPK 620 10 PG	200	3000	2.11	2	
GPK 622 10 PG	225	3000	2.27	2	
GPK 625 10 PG	250	3000	2.43	2	
GPK 630 10 PG	300	3000	2.74	2	
GPK 640 10 PG	400	3000	3.37	2	

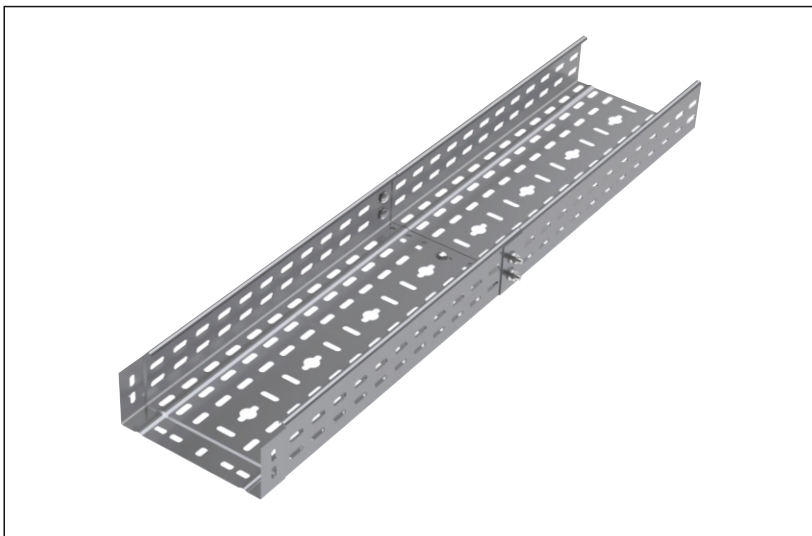
		1.2mm			
CODE	Width a mm	Length L mm	KG 1 mt	pcs	
GPK 645 12 PG	450	3000	4.42	2	
GPK 650 12 PG	500	3000	4.80	2	
GPK 660 12 PG	600	3000	5.55	2	

MATERIAL

Steel, strip-galv. acc. to the Sendzimir method to TS-EN 10346:2011 (PG)

Thickn. (ga) [mm]: 0.6 | 0.7 | 0.8 | 1.0 | 1.2

Mounting Example



GPK H60

This diagram comply with IEC 61537 with connection to 1/5 of the span and the end span = 0,8x the span
 Q = max. admissible load (kg/m)
 L = support distance (m)
 f = Deflection (mm) / Max. deflection = L/100
 Safety co-efficient = 1.5

Width	Usable Cross-Section
50	29 cm ²
100	58 cm ²
150	88 cm ²
200	118 cm ²
300	178 cm ²
400	238 cm ²
500	298 cm ²
600	358 cm ²

Recommended Quantities of Bolt and Nut For Integrated Cable Tray Connections

W	H	40	50	60	75	80	85	100
		2 Sets	2 Sets	2 Sets	-	-	-	-
Width Of Cable Tray	50	3 Sets	3 Sets	3 Sets	5 Sets	5 Sets	5 Sets	5 Sets
	100	3 Sets	3 Sets	3 Sets	5 Sets	5 Sets	5 Sets	5 Sets
	150	3 Sets	3 Sets	3 Sets	5 Sets	5 Sets	5 Sets	5 Sets
	200	3 Sets	3 Sets	3 Sets	5 Sets	5 Sets	5 Sets	5 Sets
	250	3 Sets	3 Sets	3 Sets	5 Sets	5 Sets	5 Sets	5 Sets
	300	3 Sets	3 Sets	3 Sets	5 Sets	5 Sets	5 Sets	5 Sets
	400	5 Sets	5 Sets	5 Sets	7 Sets	7 Sets	7 Sets	7 Sets
	500	5 Sets	5 Sets	5 Sets	7 Sets	7 Sets	7 Sets	7 Sets
600	5 Sets	5 Sets	5 Sets	7 Sets	7 Sets	7 Sets	7 Sets	

Recommended Quantities of Bolt and Nut For Integrated Cable Tray Connections



Integrated Non Perforated Cable Trays - Return Flanges

Geçmeli Tip Deliksiz Kablo Kanalı - Интегрированные Сплошные лотки



Important!
Joining cable tray sections together only use
Screw Sets CFS M6 or CFS M8

Pre - Galvanised

GDK ... H60		0.6mm			
CODE	Width a mm	Length L mm	KG 1 mt	pcs	
GDK 605 06 PG	50	3000	0.89	2	
GDK 607 06 PG	75	3000	1.01	2	
GDK 610 06 PG	100	3000	1.13	2	
GDK 612 06 PG	125	3000	1.24	2	
GDK 615 06 PG	150	3000	1.36	2	
GDK 620 06 PG	200	3000	1.60	2	

GDK ... H60		0.7mm			
CODE	Width a mm	Length L mm	KG 1 mt	pcs	
GDK 605 07 PG	50	3000	1.04	2	
GDK 607 07 PG	75	3000	1.18	2	
GDK 610 07 PG	100	3000	1.31	2	
GDK 612 07 PG	125	3000	1.45	2	
GDK 615 07 PG	150	3000	1.59	2	
GDK 620 07 PG	200	3000	1.86	2	

GDK ... H60		0.8mm			
CODE	Width a mm	Length L mm	KG 1 mt	pcs	
GDK 605 08 PG	50	3000	1.18	2	
GDK 607 08 PG	75	3000	1.34	2	
GDK 610 08 PG	100	3000	1.49	2	
GDK 612 08 PG	125	3000	1.65	2	
GDK 615 08 PG	150	3000	1.81	2	
GDK 620 08 PG	200	3000	2.12	2	
GDK 622 08 PG	225	3000	2.28	2	
GDK 625 08 PG	250	3000	2.44	2	
GDK 630 08 PG	300	3000	2.75	2	

GDK ... H60		1.0mm			
CODE	Width a mm	Length L mm	KG 1 mt	pcs	
GDK 605 10 PG	50	3000	1.47	2	
GDK 607 10 PG	75	3000	1.66	2	
GDK 610 10 PG	100	3000	1.86	2	
GDK 612 10 PG	125	3000	2.05	2	
GDK 615 10 PG	150	3000	2.25	2	
GDK 620 10 PG	200	3000	2.64	2	
GDK 622 10 PG	225	3000	2.84	2	
GDK 625 10 PG	250	3000	3.04	2	
GDK 630 10 PG	300	3000	3.43	2	
GDK 640 10 PG	400	3000	4.21	2	

GDK ... H60		1.2mm			
CODE	Width a mm	Length L mm	KG 1 mt	pcs	
GDK 645 12 PG	450	3000	5.53	2	
GDK 650 12 PG	500	3000	6.00	2	
GDK 660 12 PG	600	3000	6.94	2	

MATERIAL

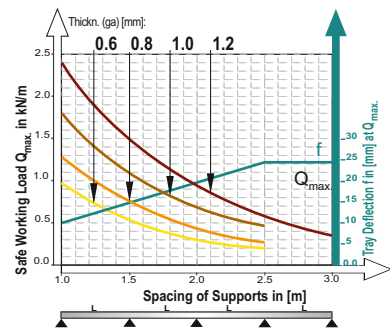
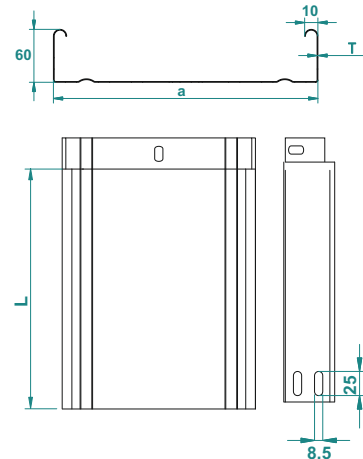
Steel, strip-galv. acc. to the Sendzimir method to TS-EN 10346:2011 (PG)

Thickn. (ga) [mm]: **0.6 | 0.7 | 0.8 | 1.0 | 1.2**

Mounting Example



GPK H60



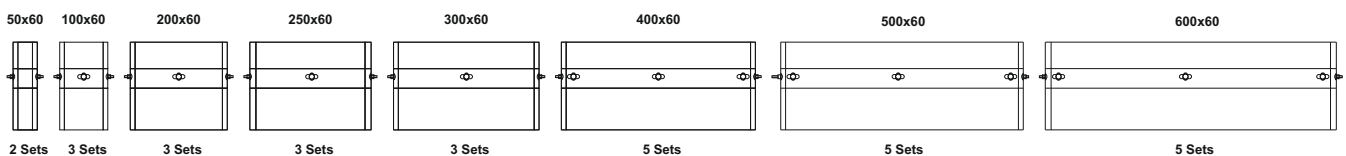
This diagram comply with IEC 61537 with connection to 1/5 of the span and the end span = 0,8x the span
 $Q = \text{max. admissible load (kg/m)}$
 $L = \text{support distance (m)}$
 $f = \text{Deflection (mm)} / \text{Max. deflection} = L/100$
 Safety co-efficient = 1.5

Width	Usable Cross-Section
50	29 cm ²
100	58 cm ²
150	88 cm ²
200	118 cm ²
300	178 cm ²
400	238 cm ²
500	298 cm ²
600	358 cm ²

Recommended Quantities of Bolt and Nut For Integrated Cable Tray Connections

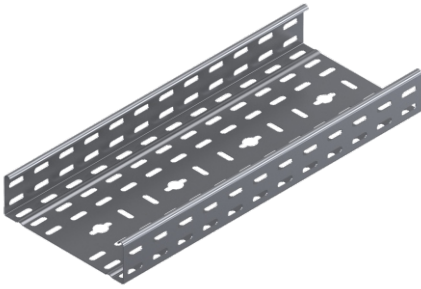
W	H	40	50	60	75	80	85	100
		2 Sets	2 Sets	2 Sets	-	-	-	-
Width Of Cable Tray	50	2 Sets	2 Sets	2 Sets	-	-	-	-
	100	3 Sets	3 Sets	3 Sets	5 Sets	5 Sets	5 Sets	5 Sets
	150	3 Sets	3 Sets	3 Sets	5 Sets	5 Sets	5 Sets	5 Sets
	200	3 Sets	3 Sets	3 Sets	5 Sets	5 Sets	5 Sets	5 Sets
	250	3 Sets	3 Sets	3 Sets	5 Sets	5 Sets	5 Sets	5 Sets
	300	3 Sets	3 Sets	3 Sets	5 Sets	5 Sets	5 Sets	5 Sets
	400	5 Sets	5 Sets	5 Sets	7 Sets	7 Sets	7 Sets	7 Sets
	500	5 Sets	5 Sets	5 Sets	7 Sets	7 Sets	7 Sets	7 Sets
600	5 Sets	5 Sets	5 Sets	7 Sets	7 Sets	7 Sets	7 Sets	

Recommended Quantities of Bolt and Nut For Integrated Cable Tray Connections



Perforated Cable Trays - Return Flanges

Ağır Hizmet Kablo Kanalı - Перфорированные лотки



Important!
Joining cable tray sections together only through the use of couplers 2 pcs for 1 Length
To install cable tray - straight use Screw Sets CFS M6 or CFS M8

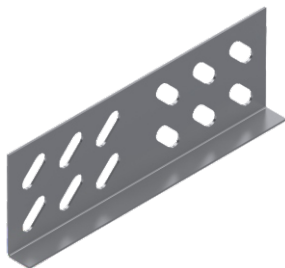
Pre - Galvanised

APK ... H60					0.6mm
CODE	Width a mm	Length L mm	KG 1 mt	pcs	
APK 605 06 PG	50	3000	0.71	2	
APK 607 06 PG	75	3000	0.81	2	
APK 610 06 PG	100	3000	0.90	2	
APK 612 06 PG	125	3000	0.99	2	
APK 615 06 PG	150	3000	1.09	2	
APK 620 06 PG	200	3000	1.28	2	
					0.8mm
APK 605 08 PG	50	3000	0.94	2	
APK 607 08 PG	75	3000	1.07	2	
APK 610 08 PG	100	3000	1.19	2	
APK 612 08 PG	125	3000	1.32	2	
APK 615 08 PG	150	3000	1.45	2	
APK 620 08 PG	200	3000	1.70	2	
APK 622 08 PG	225	3000	1.82	2	
APK 625 08 PG	250	3000	1.95	2	
APK 630 08 PG	300	3000	2.20	2	
					1.0mm
APK 605 10 PG	50	3000	1.18	2	
APK 607 10 PG	75	3000	1.33	2	
APK 610 10 PG	100	3000	1.49	2	
APK 612 10 PG	125	3000	1.64	2	
APK 615 10 PG	150	3000	1.80	2	
APK 620 10 PG	200	3000	2.11	2	
APK 622 10 PG	225	3000	2.27	2	
APK 625 10 PG	250	3000	2.43	2	
APK 630 10 PG	300	3000	2.74	2	
APK 640 10 PG	400	3000	3.37	2	

APK ... H60					1.2mm
CODE	Width a mm	Length L mm	KG 1 mt	pcs	
APK 605 12 PG	50	3000	1.41	2	
APK 607 12 PG	75	3000	1.59	2	
APK 610 12 PG	100	3000	1.78	2	
APK 612 12 PG	125	3000	1.97	2	
APK 615 12 PG	150	3000	2.16	2	
APK 620 12 PG	200	3000	2.54	2	
APK 622 12 PG	225	3000	2.73	2	
APK 625 12 PG	250	3000	2.91	2	
APK 630 12 PG	300	3000	3.29	2	
APK 640 12 PG	400	3000	4.04	2	
APK 645 12 PG	450	3000	4.42	2	
APK 650 12 PG	500	3000	4.80	2	
APK 660 12 PG	600	3000	5.55	2	
					1.5mm
APK 605 15 PG	50	3000	1.74	2	
APK 607 15 PG	75	3000	1.98	2	
APK 610 15 PG	100	3000	2.21	2	
APK 612 15 PG	125	3000	2.44	2	
APK 615 15 PG	150	3000	2.68	2	
APK 620 15 PG	200	3000	3.15	2	
APK 622 15 PG	225	3000	3.38	2	
APK 625 15 PG	250	3000	3.62	2	
APK 630 15 PG	300	3000	4.10	2	
APK 640 15 PG	400	3000	5.03	2	
APK 645 15 PG	450	3000	5.50	2	
APK 650 15 PG	500	3000	5.98	2	
APK 660 15 PG	600	3000	6.92	2	

Straight Connector (Coupler)

Birleştirme Elemanı - Прямой соединитель



Pre - Galvanised

KBE 2 ... H60					1.0mm
CODE	Length L mm	KG 1 pc	pcs		
KBE 260 10 PG	175	0.1	100		
					1.2mm
KBE 260 12 PG	175	0.1	100		

To Install one length : use 2 pieces of KBE connector 8 sets of CFS bolts and nuts. (M6 or M8)

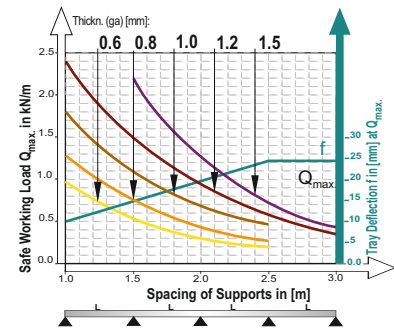
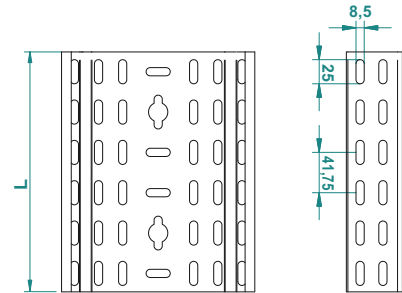
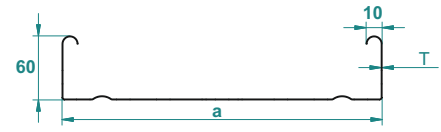
KBE 2 ... H60					1.5mm
CODE	Length L mm	KG 1 pc	pcs		
KBE 260 15 PG	175	0.13	100		

Electro - Galvanized

CFS M6					M6
CODE	Size mm	Length L mm	KG 1Set	pcs	
CFS M6 EG	M6	15	0.008	500	

CFS M8					M8
CODE	Size mm	Length L mm	KG 1Set	pcs	
CFS M8 EG	M8	15	0.014	500	

APK H60

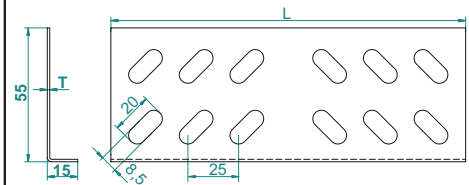


This diagram comply with IEC 61537 with connection to 1/5 of the span and the end span = 0,8x the span
Q = max. admissible load (kg/m)
L = support distance (m)
f = Deflection (mm) / Max. deflection = L/100
Safety co-efficient = 1.5

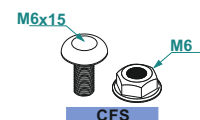


Width	Usable Cross-Sector
50	29 cm ²
100	58 cm ²
150	88 cm ²
200	118 cm ²
300	178 cm ²
400	238 cm ²
500	298 cm ²
600	358 cm ²

KBE 2



M6x15 Round head squire neck bolt & M6 Flanged nut



APPLICATIONS
Cable routing

MATERIAL
Steel, strip-galv. acc. to the Sendzimir method to TS-EN 10346:2011 (PG)

Available finishes:
HDG-steel, hot-dip galv. to TS-EN ISO 1461:2011 (HDG)
SS- stainless steel AISI 304L and AISI 316L (SS)
EP- powder coating in a full range of colours (RAL)

Thickn. (ga) [mm]: **0.6 | 0.8 | 1.0 | 1.2 | 1.5**

Non Perforated Cable Trays - Return Flanges

Ağır Hizmet Deliksiz Kablo Kanalı - Сплошные лотки



Important!
Joining cable tray sections together only through the use of couplers 2 pcs for 1 Length
To install cable tray - straight use Screw Sets CFS M6 or CFS M8

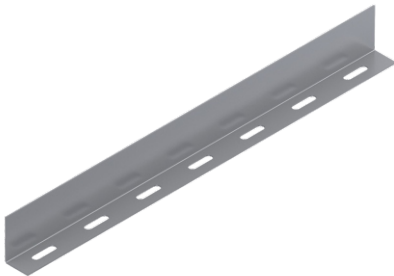
Pre - Galvanised

ADK ... H60		0.6mm		
CODE	Width a mm	Length L mm	kg 1 mt	pcs
ADK 605 06 PG	50	3000	0.89	2
ADK 607 06 PG	75	3000	1.01	2
ADK 610 06 PG	100	3000	1.13	2
ADK 612 06 PG	125	3000	1.24	2
ADK 615 06 PG	150	3000	1.36	2
ADK 620 06 PG	200	3000	1.60	2
		0.8mm		
ADK 605 08 PG	50	3000	1.18	2
ADK 607 08 PG	75	3000	1.34	2
ADK 610 08 PG	100	3000	1.49	2
ADK 612 08 PG	125	3000	1.65	2
ADK 615 08 PG	150	3000	1.81	2
ADK 620 08 PG	200	3000	2.12	2
ADK 622 08 PG	225	3000	2.28	2
ADK 625 08 PG	250	3000	2.44	2
ADK 630 08 PG	300	3000	2.75	2
		1.0mm		
ADK 605 10 PG	50	3000	1.47	2
ADK 607 10 PG	75	3000	1.66	2
ADK 610 10 PG	100	3000	1.86	2
ADK 612 10 PG	125	3000	2.05	2
ADK 615 10 PG	150	3000	2.25	2
ADK 620 10 PG	200	3000	2.64	2
ADK 622 10 PG	225	3000	2.84	2
ADK 625 10 PG	250	3000	3.04	2
ADK 630 10 PG	300	3000	3.43	2
ADK 640 10 PG	400	3000	4.21	2

ADK ... H60		1.2mm		
CODE	Width a mm	Length L mm	kg 1 mt	pcs
ADK 605 12 PG	50	3000	1.76	2
ADK 607 12 PG	75	3000	1.99	2
ADK 610 12 PG	100	3000	2.23	2
ADK 612 12 PG	125	3000	2.46	2
ADK 615 12 PG	150	3000	2.70	2
ADK 620 12 PG	200	3000	3.17	2
ADK 622 12 PG	225	3000	3.41	2
ADK 625 12 PG	250	3000	3.64	2
ADK 630 12 PG	300	3000	4.11	2
ADK 640 12 PG	400	3000	5.05	2
ADK 645 12 PG	450	3000	5.53	2
ADK 650 12 PG	500	3000	6.00	2
ADK 660 12 PG	600	3000	6.94	2
		1.5mm		
ADK 605 15 PG	50	3000	2.17	2
ADK 607 15 PG	75	3000	2.47	2
ADK 610 15 PG	100	3000	2.76	2
ADK 612 15 PG	125	3000	3.05	2
ADK 615 15 PG	150	3000	3.35	2
ADK 620 15 PG	200	3000	3.94	2
ADK 622 15 PG	225	3000	4.23	2
ADK 625 15 PG	250	3000	4.53	2
ADK 630 15 PG	300	3000	5.12	2
ADK 640 15 PG	400	3000	6.29	2
ADK 645 15 PG	450	3000	6.88	2
ADK 650 15 PG	500	3000	7.47	2
ADK 660 15 PG	600	3000	8.65	2

Seperator

Seperator - Перегородка



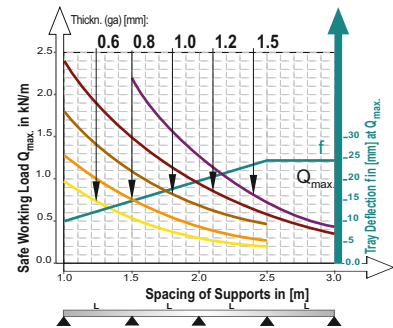
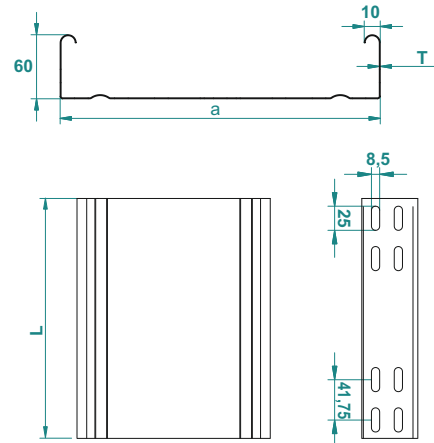
To Install Seperator use CFS bolts and nuts. (M6 or M8)

Pre - Galvanised

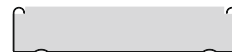
SEP 1 ... H60		1.0mm	
CODE	Length L mm	kg 1m	pcs
SEP 160 10 PG	3000	0.57	1

SEP 1 ... H60		1.5mm	
CODE	Length L mm	kg 1m	pcs
SEP 160 15 PG	3000	0.86	1

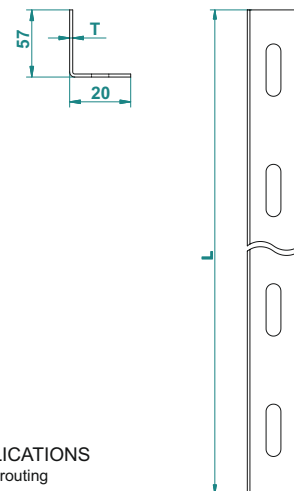
ADK H60



This diagram comply with IEC 61537 with connection to 1/5 of the span and the end span = 0,8x the span
Q = max. admissible load (kg/m)
L = support distance (m)
f = Deflection (mm) / Max. deflection = L/100
Safety co-efficient = 1.5



SEP 1 H60



APPLICATIONS
Cable routing

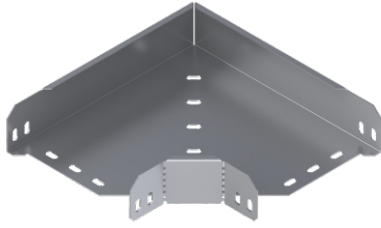
MATERIAL
Steel, strip-galv. acc. to the Sendzimir method to TS-EN 10346:2011 (PG)

Available finishes:
HDG-steel, hot-dip galv. to TS-EN ISO 1461:2011 (HDG)
SS- stainless steel AISI 304L and AISI 316L (SS)
EP- powder coating in a full range of colours (RAL)

Thickn. (ga) [mm]: 0.6 | 0.8 | 1.0 | 1.2 | 1.5

90° Horizontal Bend of Cable Tray

90° Yatay Kanal Dönüş Elemanı - Угол горизонтальный 90°



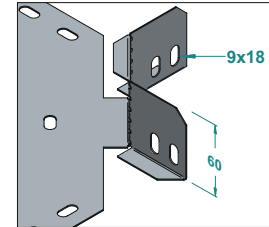
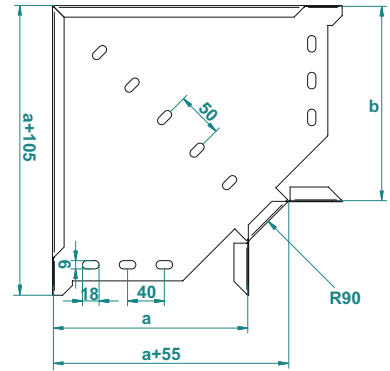
Pre - Galvanised

Important!
To install cable tray - bend use Screw Sets CFS M6 or CFS M8

KA90 ... H60		0.8mm	
CODE	Width a=b mm	kg 1 pc	pcs
KA90 605 08 PG	50	0.22	1
KA90 607 08 PG	75	0.27	1
KA90 610 08 PG	100	0.40	1
KA90 612 08 PG	125	0.48	1
KA90 615 08 PG	150	0.56	1
KA90 620 08 PG	200	0.74	1
		1.0mm	
KA90 605 10 PG	50	0.28	1
KA90 607 10 PG	75	0.34	1
KA90 610 10 PG	100	0.51	1
KA90 612 10 PG	125	0.60	1
KA90 615 10 PG	150	0.70	1
KA90 620 10 PG	200	0.93	1
KA90 622 10 PG	225	1.06	1
KA90 625 10 PG	250	1.19	1
KA90 630 10 PG	300	1.51	1
KA90 640 10 PG	400	2.17	1

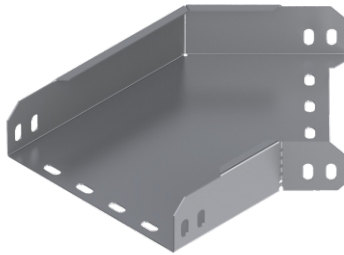
		1.2mm	
CODE	Width a=b mm	kg 1 pc	pcs
KA90 630 12 PG	300	1.89	1
KA90 640 12 PG	400	2.71	1
KA90 645 12 PG	450	3.18	1
KA90 650 12 PG	500	3.70	1
KA90 660 12 PG	600	4.82	1
		1.5mm	
KA90 605 15 PG	50	0.42	1
KA90 607 15 PG	75	0.52	1
KA90 610 15 PG	100	0.77	1
KA90 612 15 PG	125	0.90	1
KA90 615 15 PG	150	1.06	1
KA90 620 15 PG	200	1.40	1
KA90 622 15 PG	225	1.58	1
KA90 625 15 PG	250	1.78	1
KA90 630 15 PG	300	2.35	1
KA90 640 15 PG	400	3.39	1
KA90 645 15 PG	450	3.98	1
KA90 650 15 PG	500	4.62	1
KA90 660 15 PG	600	6.03	1

KA90 H60



45° Horizontal Bend of Cable Tray

45° Yatay Kanal Dönüş Elemanı - Угол горизонтальный 45°



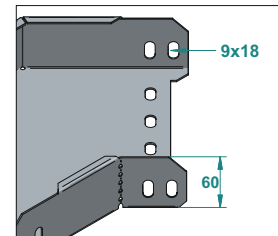
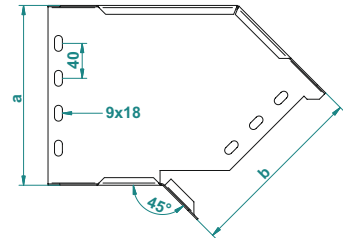
Pre - Galvanised

Important!
To install cable tray - bend use Screw Sets CFS M6 or CFS M8

KA45 ... H60		0.8mm	
CODE	Width a=b mm	kg 1 pc	pcs
KA45 605 08 PG	50	0.24	1
KA45 607 08 PG	75	0.29	1
KA45 610 08 PG	100	0.36	1
KA45 612 08 PG	125	0.46	1
KA45 615 08 PG	150	0.53	1
KA45 620 08 PG	200	0.72	1
		1.0mm	
KA45 605 10 PG	50	0.30	1
KA45 607 10 PG	75	0.37	1
KA45 610 10 PG	100	0.45	1
KA45 612 10 PG	125	0.58	1
KA45 615 10 PG	150	0.67	1
KA45 620 10 PG	200	0.90	1
KA45 622 10 PG	225	1.02	1
KA45 625 10 PG	250	1.15	1
KA45 630 10 PG	300	1.38	1
KA45 640 10 PG	400	2.01	1

		1.2mm	
CODE	Width a=b mm	kg 1 pc	pcs
KA45 630 12 PG	300	1.73	1
KA45 640 12 PG	400	2.52	1
KA45 645 12 PG	450	2.98	1
KA45 650 12 PG	500	3.47	1
KA45 660 12 PG	600	4.58	1
		1.5mm	
KA45 605 15 PG	50	0.44	1
KA45 607 15 PG	75	0.54	1
KA45 610 15 PG	100	0.66	1
KA45 612 15 PG	125	0.86	1
KA45 615 15 PG	150	1.01	1
KA45 620 15 PG	200	1.34	1
KA45 622 15 PG	225	1.53	1
KA45 625 15 PG	250	1.73	1
KA45 630 15 PG	300	2.15	1
KA45 640 15 PG	400	3.15	1
KA45 645 15 PG	450	3.72	1
KA45 650 15 PG	500	4.34	1
KA45 660 15 PG	600	5.72	1

KA45 H60



APPLICATIONS

Cable routing

MATERIAL

Steel, strip-galv. acc. to the Sendzimir method to TS-EN 10346:2011 (PG)

Available finishes:

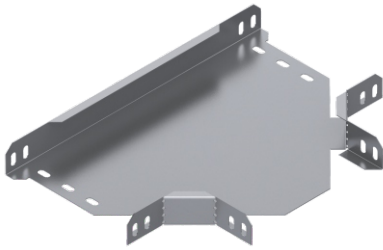
HDG-steel, hot-dip galv. to TS-EN ISO 1461:2011 (HDG)
SS- stainless steel AISI 304L and AISI 316L (SS)
EP- powder coating in a full range of colours (RAL)

Thickn. (ga) [mm]:

0.6 0.8 1.0 1.2 1.5

Tee Horizontal Bend of Cable Tray

"T" Yatay Kanal Dönüş Elemanı - T-отвод горизонтальный



Pre - Galvanised

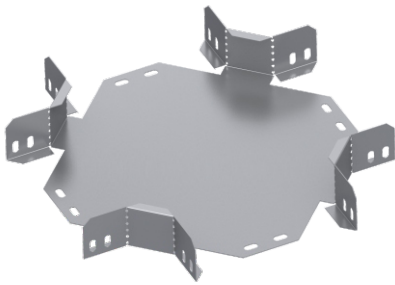
Important!
To install cable tray - bend use Screw Sets CFS M6 or CFS M8

KAT ... H60		0.8mm	
CODE	Width a=b=c mm	Kg 1 pc	pcs
KAT 605 08 PG	50	0.28	1
KAT 607 08 PG	75	0.35	1
KAT 610 08 PG	100	0.52	1
KAT 612 08 PG	125	0.60	1
KAT 615 08 PG	150	0.69	1
KAT 620 08 PG	200	0.90	1
KAT ... H60		1.0mm	
KAT 605 10 PG	50	0.36	1
KAT 607 10 PG	75	0.44	1
KAT 610 10 PG	100	0.66	1
KAT 612 10 PG	125	0.76	1
KAT 615 10 PG	150	0.87	1
KAT 620 10 PG	200	1.13	1
KAT 622 10 PG	225	1.26	1
KAT 625 10 PG	250	1.41	1
KAT 630 10 PG	300	1.84	1
KAT 640 10 PG	400	2.54	1

KAT ... H60		1.2mm	
CODE	Width a=b=c mm	Kg 1 pc	pcs
KAT 630 12 PG	300	2.28	1
KAT 640 12 PG	400	3.18	1
KAT 645 12 PG	450	3.70	1
KAT 650 12 PG	500	4.25	1
KAT 660 12 PG	600	5.46	1
KAT ... H60		1.5mm	
KAT 605 15 PG	50	0.54	1
KAT 607 15 PG	75	0.66	1
KAT 610 15 PG	100	0.98	1
KAT 612 15 PG	125	1.14	1
KAT 615 15 PG	150	1.31	1
KAT 620 15 PG	200	1.69	1
KAT 622 15 PG	225	1.90	1
KAT 625 15 PG	250	2.11	1
KAT 630 15 PG	300	2.85	1
KAT 640 15 PG	400	3.98	1
KAT 645 15 PG	450	4.62	1
KAT 650 15 PG	500	5.31	1
KAT 660 15 PG	600	6.82	1

Cross Bend of Cable Tray

4'lü Bağlantı Elemanı- Крестовина



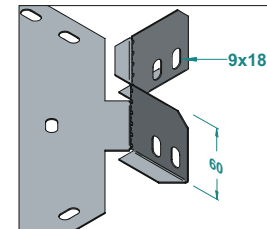
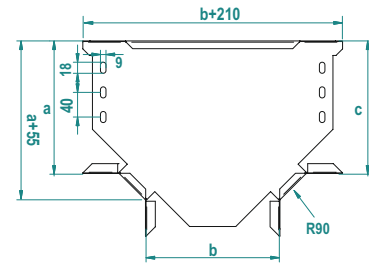
Pre - Galvanised

Important!
To install cable tray - bend use Screw Sets CFS M6 or CFS M8

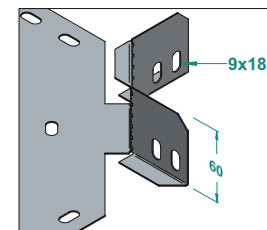
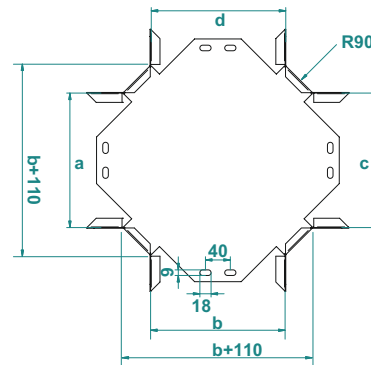
KAD ... H60		0.8mm	
CODE	Width a=b=c=d mm	Kg 1 pc	pcs
KAD 605 08 PG	50	0.37	1
KAD 607 08 PG	75	0.45	1
KAD 610 08 PG	100	0.67	1
KAD 612 08 PG	125	0.76	1
KAD 615 08 PG	150	0.86	1
KAD 620 08 PG	200	1.08	1
KAD ... H60		1.0mm	
KAD 605 10 PG	50	0.47	1
KAD 607 10 PG	75	0.57	1
KAD 610 10 PG	100	0.84	1
KAD 612 10 PG	125	0.95	1
KAD 615 10 PG	150	1.08	1
KAD 620 10 PG	200	1.36	1
KAD 622 10 PG	225	1.50	1
KAD 625 10 PG	250	1.66	1
KAD 630 10 PG	300	2.21	1
KAD 640 10 PG	400	2.99	1

KAD ... H60		1.2mm	
CODE	Width a=b=c=d mm	Kg 1 pc	pcs
KAD 630 12 PG	300	2.76	1
KAD 640 12 PG	400	3.74	1
KAD 645 12 PG	450	4.30	1
KAD 650 12 PG	500	4.88	1
KAD 660 12 PG	600	6.18	1
KAD ... H60		1.5mm	
KAD 605 15 PG	50	0.71	1
KAD 607 15 PG	75	0.85	1
KAD 610 15 PG	100	1.26	1
KAD 612 15 PG	125	1.43	1
KAD 615 15 PG	150	1.62	1
KAD 620 15 PG	200	2.04	1
KAD 622 15 PG	225	2.26	1
KAD 625 15 PG	250	2.50	1
KAD 630 15 PG	300	3.45	1
KAD 640 15 PG	400	4.68	1
KAD 645 15 PG	450	5.37	1
KAD 650 15 PG	500	6.10	1
KAD 660 15 PG	600	7.71	1

KAT H60



KAD H60



APPLICATIONS

Cable routing

MATERIAL

Steel, strip-galv. acc. to the Sendzimir method to TS-EN 10346:2011 (PG)

Available finishes:

HDG-steel, hot-dip galv. to TS-EN ISO 1461:2011 (HDG)
SS- stainless steel AISI 304L and AISI 316L (SS)
EP- powder coating in a full range of colours (RAL)

Thickn. (ga) [mm]:

Vertical Outside Bend of Cable Tray (Flexible)

Kanal Dış Bükey - Арка универсальная, внешний изгиб



Pre - Galvanised

Important!
To install vertical bend - use 2 pieces of KBE connectors and 4 sets of CFS bolts and nuts (M6 or M8).

KADB ... H60		0.8mm		kg	pcs
CODE	Width a mm	Length L mm			
KADB 605 08 PG	50	600	0.59	1	
KADB 607 08 PG	75	600	0.66	1	
KADB 610 08 PG	100	600	0.74	1	
KADB 612 08 PG	125	600	0.82	1	
KADB 615 08 PG	150	600	0.90	1	
KADB 620 08 PG	200	600	1.05	1	
		1.0mm		kg	pcs
KADB 605 10 PG	50	600	0.74	1	
KADB 607 10 PG	75	600	0.83	1	
KADB 610 10 PG	100	600	0.93	1	
KADB 612 10 PG	125	600	1.03	1	
KADB 615 10 PG	150	600	1.13	1	
KADB 620 10 PG	200	600	1.32	1	
KADB 622 10 PG	225	600	1.42	1	
KADB 625 10 PG	250	600	1.52	1	
KADB 630 10 PG	300	600	1.65	1	
KADB 640 10 PG	400	600	2.42	1	

KADB ... H60		1.2mm		kg	pcs
CODE	Width a mm	Length L mm			
KADB 630 12 PG	300	600	2.06	1	
KADB 640 12 PG	400	600	3.03	1	
KADB 645 12 PG	450	600	3.32	1	
KADB 650 12 PG	500	600	3.60	1	
KADB 660 12 PG	600	600	4.16	1	
		1.5mm		kg	pcs
KADB 605 15 PG	50	600	1.09	1	
KADB 607 15 PG	75	600	1.23	1	
KADB 610 15 PG	100	600	1.38	1	
KADB 612 15 PG	125	600	1.53	1	
KADB 615 15 PG	150	600	1.68	1	
KADB 620 15 PG	200	600	1.97	1	
KADB 622 15 PG	225	600	2.12	1	
KADB 625 15 PG	250	600	2.26	1	
KADB 630 15 PG	300	600	2.56	1	
KADB 640 15 PG	400	600	3.78	1	
KADB 645 15 PG	450	600	4.13	1	
KADB 650 15 PG	500	600	4.48	1	
KADB 660 15 PG	600	600	5.19	1	

Vertical Inside Bend of Cable Tray (Flexible)

Kanal İç Bükey- Арка универсальная, внутренний изгиб



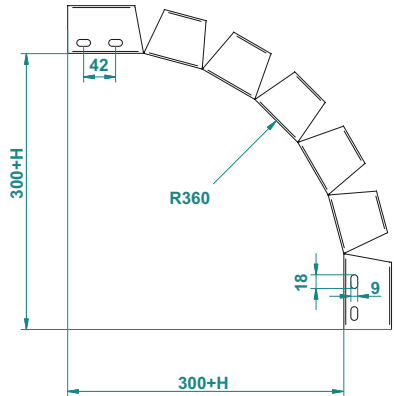
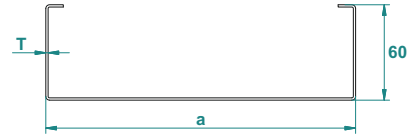
Pre - Galvanised

Important!
To install vertical bend - use 2 pieces of KBE connectors and 4 sets of CFS bolts and nuts (M6 or M8).

KAIB ... H60		0.8mm		kg	pcs
CODE	Width a mm	Length L mm			
KAIB 605 08 PG	50	600	0.59	1	
KAIB 607 08 PG	75	600	0.66	1	
KAIB 610 08 PG	100	600	0.74	1	
KAIB 612 08 PG	125	600	0.82	1	
KAIB 615 08 PG	150	600	0.90	1	
KAIB 620 08 PG	200	600	1.05	1	
		1.0mm		kg	pcs
KAIB 605 10 PG	50	600	0.74	1	
KAIB 607 10 PG	75	600	0.83	1	
KAIB 610 10 PG	100	600	0.93	1	
KAIB 612 10 PG	125	600	1.03	1	
KAIB 615 10 PG	150	600	1.13	1	
KAIB 620 10 PG	200	600	1.32	1	
KAIB 622 10 PG	225	600	1.42	1	
KAIB 625 10 PG	250	600	1.52	1	
KAIB 630 10 PG	300	600	1.65	1	
KAIB 640 10 PG	400	600	2.42	1	

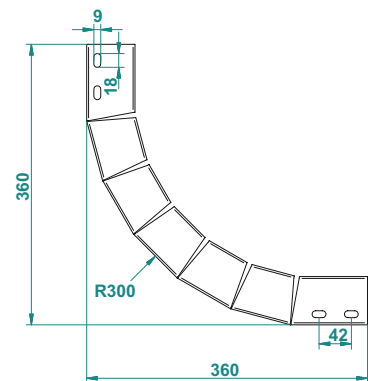
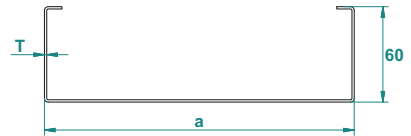
KAIB ... H60		1.2mm		kg	pcs
CODE	Width a mm	Length L mm			
KAIB 630 12 PG	300	600	2.06	1	
KAIB 640 12 PG	400	600	3.03	1	
KAIB 645 12 PG	450	600	3.32	1	
KAIB 650 12 PG	500	600	3.60	1	
KAIB 660 12 PG	600	600	4.16	1	
		1.5mm		kg	pcs
KAIB 605 15 PG	50	600	1.09	1	
KAIB 607 15 PG	75	600	1.23	1	
KAIB 610 15 PG	100	600	1.38	1	
KAIB 612 15 PG	125	600	1.53	1	
KAIB 615 15 PG	150	600	1.68	1	
KAIB 620 15 PG	200	600	1.97	1	
KAIB 622 15 PG	225	600	2.12	1	
KAIB 625 15 PG	250	600	2.26	1	
KAIB 630 15 PG	300	600	2.56	1	
KAIB 640 15 PG	400	600	3.78	1	
KAIB 645 15 PG	450	600	4.13	1	
KAIB 650 15 PG	500	600	4.48	1	
KAIB 660 15 PG	600	600	5.19	1	

KADB H60



KADB and KAIB are the same items, shipped flat.
To install - Bend manually during application.
in Flat Length = 600mm

KAIB H60



KADB and KAIB are the same items, shipped flat.
To install - Bend manually during application.
in Flat Length = 600mm

APPLICATIONS

Cable routing

MATERIAL

Steel, strip-galv. acc. to the Sendzimir method to TS-EN 10346:2011 (PG)

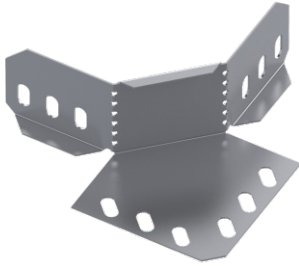
Available finishes:

HDG-steel, hot-dip galv. to TS-EN ISO 1461:2011 (HDG)
SS- stainless steel AISI 304L and AISI 316L (SS)
EP- powder coating in a full range of colours (RAL)

Thickn. (ga) [mm]: **0.6 | 0.8 | 1.0 | 1.2 | 1.5**

Add On 90° Horizontal Corner Bend of Cable Tray

90° Köşe Yatay Kanal Dönüş Eki - Угол 90° врезной



Pre - Galvanised

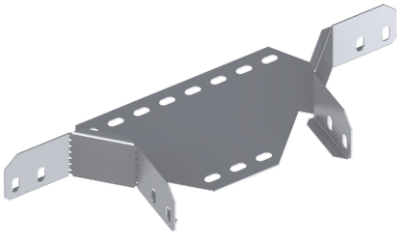
KA90E ... H60		0.8mm			
CODE	a mm	Radius R mm	KG 1 pc	pcs	
KA90E 6 08 PG	55	90	0.13	1	
KA90ER1 6 08 PG	90	150	0.20	1	
KA90ER2 6 08 PG	180	300	0.43	1	
		1.0mm			
KA90E 6 10 PG	55	90	0.17	1	
KA90ER1 6 10 PG	90	150	0.26	1	
KA90ER2 6 10 PG	180	300	0.54	1	

Important!
To install cable tray - bend use Screw Sets CFS M6 or CFS M8

KA90E ... H60		1.5mm			
CODE	a mm	Radius R mm	KG 1 pc	pcs	
KA90E 6 15 PG	55	90	0.26	1	
KA90ER1 6 15 PG	90	150	0.39	1	
KA90ER2 6 15 PG	180	300	0.80	1	

Add on tee horizontal bend

"T" yatay kanal dönüş eki - T-отвод горизонтальный врезной



Pre - Galvanised

KATE ... H60		0.8mm			
CODE	Width a mm	Radius R mm	KG 1 pc	pcs	
KATE 610 08 PG	100	90	0.31	1	
KATE 612 08 PG	125	90	0.33	1	
KATE 615 08 PG	150	90	0.36	1	
KATE 620 08 PG	200	90	0.40	1	
		1.0mm			
KATE 610 10 PG	100	90	0.39	1	
KATE 612 10 PG	125	90	0.42	1	
KATE 615 10 PG	150	90	0.45	1	
KATE 620 10 PG	200	90	0.50	1	
KATE 622 10 PG	225	90	0.53	1	
KATE 625 10 PG	250	90	0.55	1	
KATE 630 10 PG	300	90	0.58	1	
KATE 640 10 PG	400	90	0.69	1	

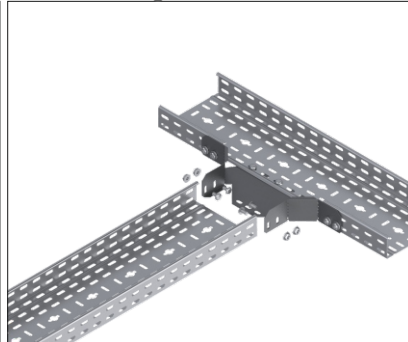
Important!
To install cable tray - bend use Screw Sets CFS M6 or CFS M8

KATER1 ... H60		1.2mm			
CODE	Width a mm	Radius R mm	KG 1 pc	pcs	
KATE 630 12 PG	300	90	0.73	1	
KATE 640 12 PG	400	90	0.86	1	
KATE 645 12 PG	450	90	0.92	1	
KATE 650 12 PG	500	90	0.98	1	
KATE 660 12 PG	600	90	1.11	1	
		1.5mm			
KATER1 610 15 PG	100	150	1.12	1	
KATER1 612 15 PG	125	150	1.18	1	
KATER1 615 15 PG	150	150	1.25	1	
KATER1 620 15 PG	200	150	1.38	1	
KATER1 622 15 PG	225	150	1.44	1	
KATER1 625 15 PG	250	150	1.50	1	
KATER1 630 15 PG	300	150	1.62	1	
KATER1 640 15 PG	400	150	1.88	1	
KATER1 645 15 PG	450	150	2.01	1	
KATER1 650 15 PG	500	150	2.14	1	
KATER1 660 15 PG	600	150	2.39	1	

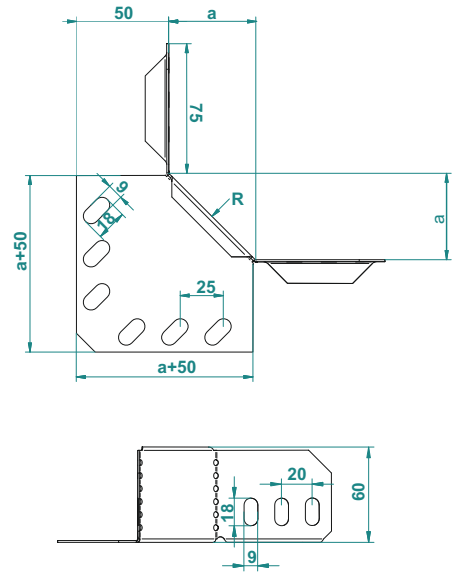
KA90E Mounting



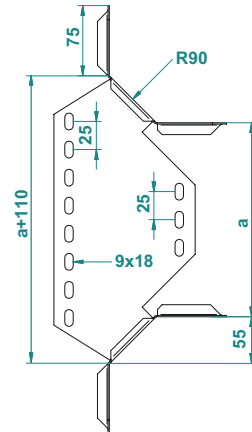
KATE Mounting



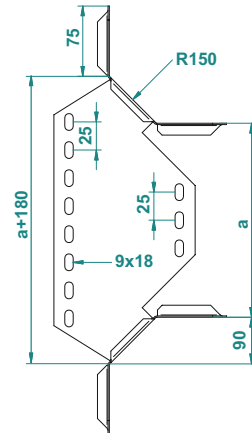
KA90E H60



KATE H60



KATER1 H60



APPLICATIONS

Cable routing

MATERIAL

Steel, strip-galv. acc. to the Sendzimir method to TS-EN 10346:2011 (PG)

Available finishes:

HDG-steel, hot-dip galv. to TS-EN ISO 1461:2011 (HDG)

SS- stainless steel AISI 304L and AISI 316L (SS)

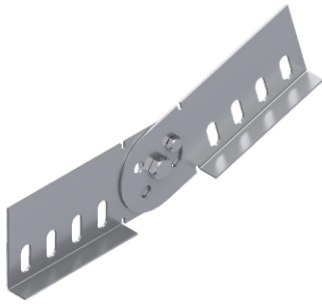
EP- powder coating in a full range of colours (RAL)

Thickn. (ga) [mm]:

0.6 0.8 1.0 1.2 1.5

Adjustable Vertical Connector (2 Pcs)

Dikey Seviye Degistirme Eki (2 Adet) - Шарнирный соединитель для лотка

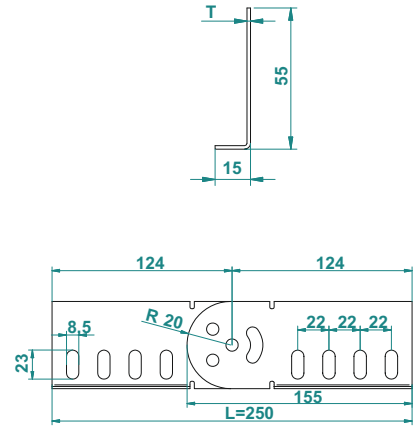


Pre - Galvanised

To Install one lenght; use 2 pieces of BDD connector and 10 sets of CFS bolts and nuts. (M6 or M8)

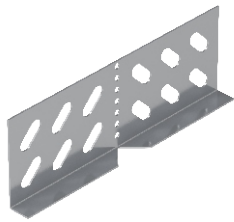
BDD 2 ... H60				BDD 2 ... H60			
1.2mm				1.5mm			
CODE	Length L mm	KG 1 pc	pcs	CODE	Length L mm	KG 1 pc	pcs
BDD 260 12 PG	250	0.18	1	BDD 260 15 PG	250	0.23	1

BDD 2 H60



Adjustable Horizontal Connector

Yatay Seviye Degistirme Eki - Угловой соединитель

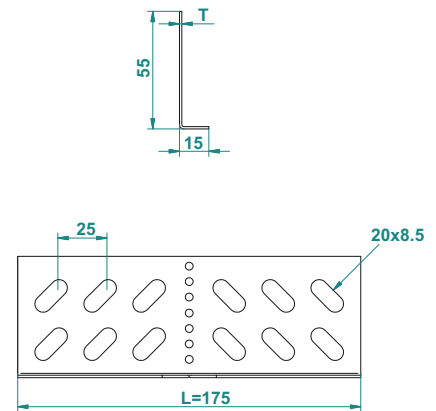


Pre - Galvanised

To Install one lenght; use 2 pieces of BYD connector and 8 sets of CFS bolts and nuts. (M6 or M8)

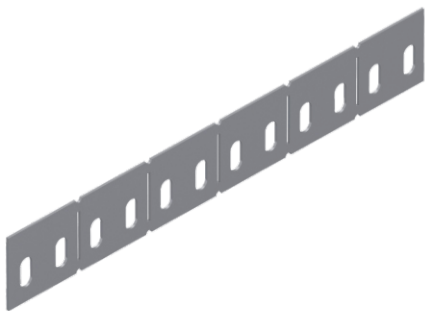
BYD 2 ... H60				BYD 2 ... H60			
1.2mm				1.5mm			
CODE	Length L mm	KG 1 pc	pcs	CODE	Length L mm	KG 1 pc	pcs
BYD 260 12 PG	175	0,1	1	BYD 260 15 PG	175	0.13	1

BYD 2 H60



Adjustable horizontal connector - Long Type

Yatay seviye degistirme eki uzun tip - Угловой соединитель - длинный

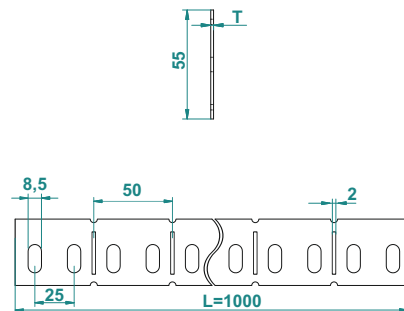


Pre - Galvanised

Important!
To install cable tray - connector use Screw Sets CFS M6 or CFS M8

BYDU 1 ... H60				BYDU 1 ... H60			
1.2mm				1.5mm			
CODE	Length L mm	KG 1 pc	pcs	CODE	Length L mm	KG 1 pc	pcs
BYDU 160 12 PG	1000	0.3	1	BYDU 160 15 PG	1000	0.38	1

BYDU 1 H60



APPLICATIONS

Cable routing

MATERIAL

Steel, strip-galv. acc. to the Sendzimir method to TS-EN 10346:2011 (PG)

Available finishes:

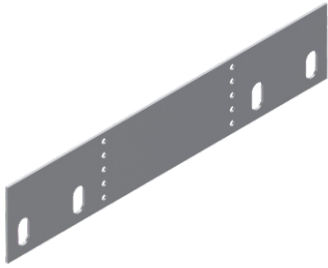
HDG-steel, hot-dip galv. to TS-EN ISO 1461:2011 (HDG)
SS- stainless steel AISI 304L and AISI 316L (SS)
EP- powder coating in a full range of colours (RAL)

Thickn. (ga) [mm]:

0.6 0.8 1.0 1.2 1.5

Reducer Connector - Single Type

Redüksiyon Eki (Tek) - Редукционный переходник



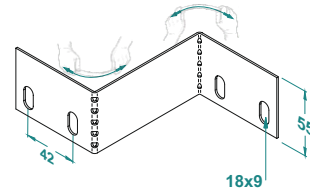
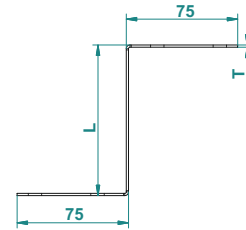
Important!
To install cable tray - reducer use Screw Sets
CFS M6 or CFS M8

Pre - Galvanised

RT ... H60		1.5mm	
CODE	Length L mm	KG 1 pc	pcs
RT 60 25 15 PG	25	0,112	1
RT 60 50 15 PG	50	0,127	1
RT 60 75 15 PG	75	0,143	1
RT 60 100 15 PG	100	0,159	1
RT 60 125 15 PG	125	0,175	1
RT 60 150 15 PG	150	0,191	1
RT 60 175 15 PG	175	0,207	1
RT 60 200 15 PG	200	0,222	1
RT 60 225 15 PG	225	0,239	1
RT 60 250 15 PG	250	0,255	1
RT 60 275 15 PG	275	0,270	1
RT 60 300 15 PG	300	0,300	1

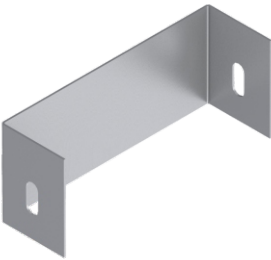
RT ... H60		1.5mm	
CODE	Length L mm	KG 1 pc	pcs
RT 60 325 15 PG	325	0,302	1
RT 60 350 15 PG	350	0,318	1
RT 60 375 15 PG	375	0,334	1
RT 60 400 15 PG	400	0,350	1
RT 60 425 15 PG	425	0,365	1
RT 60 450 15 PG	450	0,382	1
RT 60 475 15 PG	475	0,398	1
RT 60 500 15 PG	500	0,413	1
RT 60 525 15 PG	525	0,429	1
RT 60 550 15 PG	550	0,446	1
RT 60 575 15 PG	575	0,461	1

RT H60



Stop End (Blind End)

Sonlandırma - Заглушка



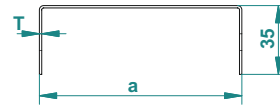
Important!
To install cable tray - stop end use Screw Sets
CFS M6 or CFS M8

Pre - Galvanised

SON ... H60		1.2mm	
CODE	Width a mm	KG 1 pc	pcs
SON 605 12 PG	50	0,086	1
SON 607 12 PG	75	0,099	1
SON 610 12 PG	100	0,112	1
SON 612 12 PG	125	0,124	1
SON 615 12 PG	150	0,134	1
SON 620 12 PG	200	0,163	1
SON 622 12 PG	225	0,176	1
SON 625 12 PG	250	0,188	1
SON 630 12 PG	300	0,213	1
SON 640 12 PG	400	0,265	1
SON 645 12 PG	450	0,290	1
SON 650 12 PG	500	0,315	1
SON 660 12 PG	600	0,366	1

SON ... H60		1.5mm	
CODE	Width a mm	KG 1 pc	pcs
SON 605 15 PG	50	0,108	1
SON 607 15 PG	75	0,124	1
SON 610 15 PG	100	0,140	1
SON 612 15 PG	125	0,156	1
SON 615 15 PG	150	0,172	1
SON 620 15 PG	200	0,203	1
SON 622 15 PG	225	0,220	1
SON 625 15 PG	250	0,235	1
SON 630 15 PG	300	0,267	1
SON 640 15 PG	400	0,330	1
SON 645 15 PG	450	0,363	1
SON 650 15 PG	500	0,394	1
SON 660 15 PG	600	0,458	1

SON H60



APPLICATIONS

Cable routing

MATERIAL

Steel, strip-galv. acc. to the Sendzimir method
to TS-EN 10346:2011 (PG)

Available finishes:

HDG-steel, hot-dip galv. to TS-EN ISO 1461:2011 (HDG)
SS- stainless steel AISI 304L and AISI 316L (SS)
EP- powder coating in a full range of colours (RAL)

Thickn. (ga) [mm]: **0.6 | 0.8 | 1.0 | 1.2 | 1.5**