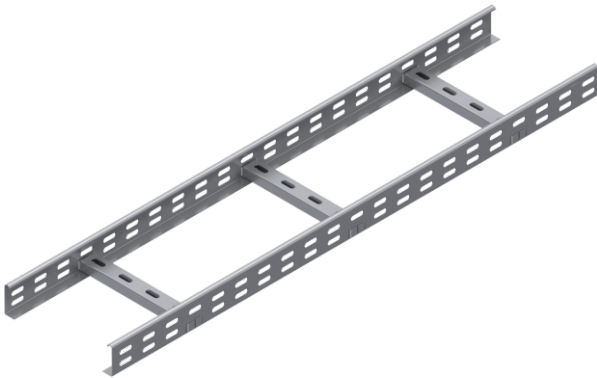


Cable Ladder

Kablo Merdiveni - Кабельросты (Лестничные лотки)



Important!
Joining cable ladder sections together only through the use of couplers 2 pcs for 1 Length
To install cable ladder - straight use Screw Sets CFS M6 or CFS M8

Pre - Galvanised

PKM ...	H60...		1.2mm		PKM ...	H60...		1.5mm	
CODE	Width W mm	Length L mm	KG 1 mt	pcs	CODE	Width W mm	Length L mm	KG 1 mt	pcs
PKM 610 12 PG	100	3000	1.53	2	PKM 610 15 PG	100	3000	1.92	2
PKM 615 12 PG	150	3000	1.62	2	PKM 615 15 PG	150	3000	2.03	2
PKM 620 12 PG	200	3000	1.71	2	PKM 620 15 PG	200	3000	2.14	2
PKM 625 12 PG	250	3000	1.80	2	PKM 625 15 PG	250	3000	2.25	2
PKM 630 12 PG	300	3000	1.88	2	PKM 630 15 PG	300	3000	2.36	2
PKM 640 12 PG	400	3000	2.06	2	PKM 640 15 PG	400	3000	2.57	2
PKM 645 12 PG	450	3000	2.15	2	PKM 645 15 PG	450	3000	2.68	2
PKM 650 12 PG	500	3000	2.24	2	PKM 650 15 PG	500	3000	2.79	2
PKM 660 12 PG	600	3000	2.41	2	PKM 660 15 PG	600	3000	3.01	2

Cable Ladder

Kablo Merdiveni - Кабельросты (Лестничные лотки)



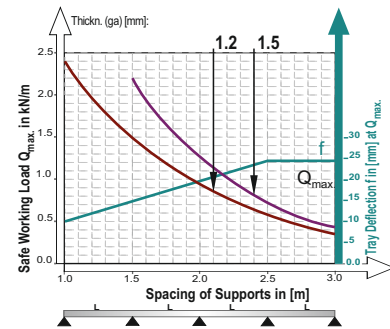
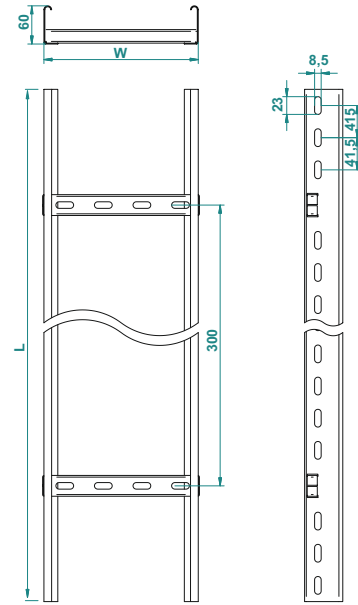
Integrated Type

Important!
To install cable ladder - straight use Screw Sets CFS M6 or CFS M8

Pre - Galvanised

FKM...	H60...		1.2mm		FKM...	H60...		1.5mm	
CODE	Width W mm	Length L mm	KG 1 mt	pcs	CODE	Width W mm	Length L mm	KG 1 mt	pcs
FKM 610 12 PG	100	3000	1.53	2	FKM 610 15 PG	100	3000	1.92	2
FKM 615 12 PG	150	3000	1.62	2	FKM 615 15 PG	150	3000	2.03	2
FKM 620 12 PG	200	3000	1.71	2	FKM 620 15 PG	200	3000	2.14	2
FKM 625 12 PG	250	3000	1.80	2	FKM 625 15 PG	250	3000	2.25	2
FKM 630 12 PG	300	3000	1.88	2	FKM 630 15 PG	300	3000	2.36	2
FKM 640 12 PG	400	3000	2.06	2	FKM 640 15 PG	400	3000	2.57	2
FKM 645 12 PG	450	3000	2.15	2	FKM 645 15 PG	450	3000	2.68	2
FKM 650 12 PG	500	3000	2.24	2	FKM 650 15 PG	500	3000	2.79	2
FKM 660 12 PG	600	3000	2.41	2	FKM 660 15 PG	600	3000	3.01	2

PKM H60



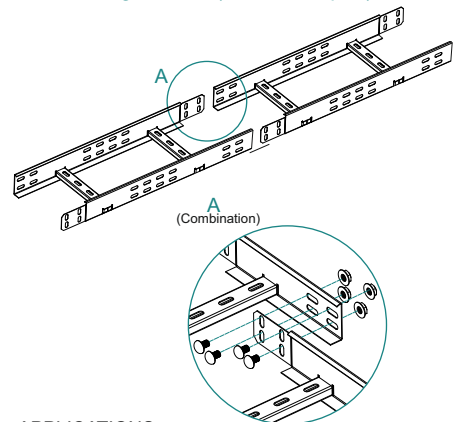
This diagram comply with IEC 61537 with connection to 1/5 of the span and the end span = 0,8x the span

Q = max. admissible load (kg/m)
L = support distance (m)
f = Deflection (mm) / Max. deflection = L/100
Safety co-efficient = 1.5

Width	Usable Cross-Section
50	28 cm ²
100	58 cm ²
150	88 cm ²
200	118 cm ²
300	178 cm ²
400	238 cm ²
500	298 cm ²
600	358 cm ²

FKM H60

Quick Fixing Method (without coupler)



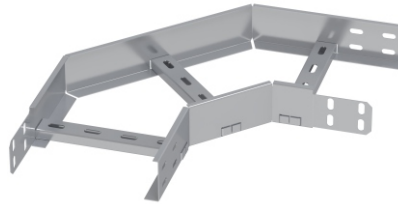
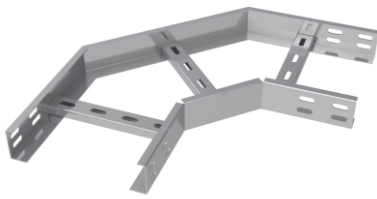
APPLICATIONS
Cable routing

MATERIAL
Steel, strip-galv. acc. to the Sendzimir method to TS-EN 10346:2011 (PG)
Available finishes:
HDG-steel, hot-dip galv. to TS-EN ISO 1461:2011 (HDG)
SS- stainless steel AISI 304L and AISI 316L (SS)
EP- powder coating in a full range of colours (RAL)

Thickn. (ga) [mm]: 1.2 1.5

90° Horizontal Bend of Cable Ladder

90° Merdiven Yatay Dönüş Elemanı - Угол кабельроста горизонтальный 90°



Important!

Joining cable tray sections together only through the use of couplers and Screw Sets CFS M6 or CFS M8

Pre - Galvanised

PM90 ...	H60...	1.2mm		
CODE	Width W a=b	kg 1 pc	pcs	
PM90 610 12 PG	100	0.81	1	
PM90 615 12 PG	150	0.97	1	
PM90 620 12 PG	200	1.12	1	
PM90 625 12 PG	250	1.28	1	
PM90 630 12 PG	300	1.43	1	
PM90 640 12 PG	400	1.74	1	
PM90 645 12 PG	450	1.90	1	
PM90 650 12 PG	500	2.05	1	
PM90 660 12 PG	600	2.36	1	

		1.5mm		
CODE	Width W a=b	kg 1 pc	pcs	
PM90 610 15 PG	100	1.01	1	
PM90 615 15 PG	150	1.21	1	
PM90 620 15 PG	200	1.40	1	
PM90 625 15 PG	250	1.60	1	
PM90 630 15 PG	300	1.79	1	
PM90 640 15 PG	400	2.18	1	
PM90 645 15 PG	450	2.37	1	
PM90 650 15 PG	500	2.57	1	
PM90 660 15 PG	600	2.95	1	

Integrated Type

Important!

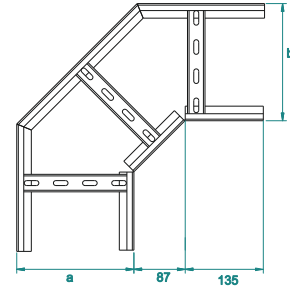
To instal cable tray - bend use Screw Sets CFS M6 or CFS M8

Pre - Galvanised

MF90 ...	H60...	1.2mm		
CODE	Width W a=b	kg 1 pc	pcs	
MF90 610 12 PG	100	0.81	1	
MF90 615 12 PG	150	0.97	1	
MF90 620 12 PG	200	1.12	1	
MF90 625 12 PG	250	1.28	1	
MF90 630 12 PG	300	1.43	1	
MF90 640 12 PG	400	1.74	1	
MF90 645 12 PG	450	1.90	1	
MF90 650 12 PG	500	2.05	1	
MF90 660 12 PG	600	2.36	1	

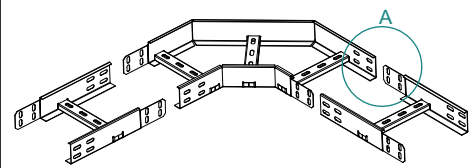
		1.5mm		
CODE	Width W a=b	kg 1 pc	pcs	
MF90 610 15 PG	100	1.01	1	
MF90 615 15 PG	150	1.21	1	
MF90 620 15 PG	200	1.40	1	
MF90 625 15 PG	250	1.60	1	
MF90 630 15 PG	300	1.79	1	
MF90 640 15 PG	400	2.18	1	
MF90 645 15 PG	450	2.37	1	
MF90 650 15 PG	500	2.57	1	
MF90 660 15 PG	600	2.95	1	

PM90 H60

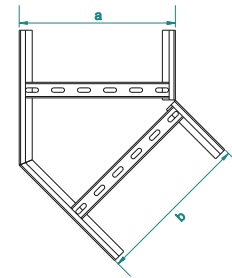


MF90 H60

Quick Fixing Method (without coupler)

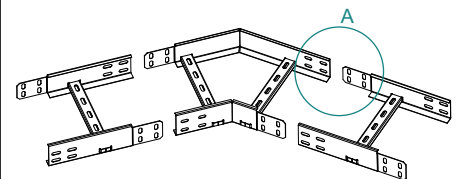


PM45 H60

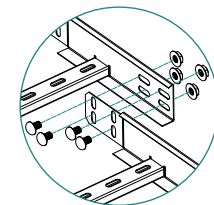


MF45 H60

Quick Fixing Method (without coupler)

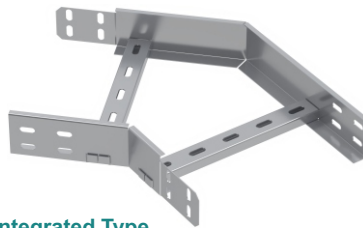


(Combination)



45° Horizontal Bend of Cable Ladder

45° Merdiven Yatay Dönüş Elemanı - Угол кабельроста горизонтальный 45°



Important!

Joining cable tray sections together only through the use of couplers and Screw Sets CFS M6 or CFS M8

Pre - Galvanised

PM45 ...	H60...	1.2mm		
CODE	Width W a=b	kg 1 pc	pcs	
PM45 610 12 PG	100	0.72	1	
PM45 615 12 PG	150	0.81	1	
PM45 620 12 PG	200	0.91	1	
PM45 625 12 PG	250	0.99	1	
PM45 630 12 PG	300	1.08	1	
PM45 640 12 PG	400	1.27	1	
PM45 645 12 PG	450	1.35	1	
PM45 650 12 PG	500	1.45	1	
PM45 660 12 PG	600	1.63	1	

		1.5mm		
CODE	Width W a=b	kg 1 pc	pcs	
PM45 610 15 PG	100	0.91	1	
PM45 615 15 PG	150	1.02	1	
PM45 620 15 PG	200	1.13	1	
PM45 625 15 PG	250	1.24	1	
PM45 630 15 PG	300	1.36	1	
PM45 640 15 PG	400	1.58	1	
PM45 645 15 PG	450	1.70	1	
PM45 650 15 PG	500	1.81	1	
PM45 660 15 PG	600	2.04	1	

Integrated Type

Important!

To instal cable tray - bend use Screw Sets CFS M6 OR CFS M8

Pre - Galvanised

MF45 ...	H60...	1.2mm		
CODE	Width W a=b	kg 1 pc	pcs	
MF45 610 12 PG	100	0.72	1	
MF45 615 12 PG	150	0.81	1	
MF45 620 12 PG	200	0.91	1	
MF45 625 12 PG	250	0.99	1	
MF45 630 12 PG	300	1.08	1	
MF45 640 12 PG	400	1.27	1	
MF45 645 12 PG	450	1.35	1	
MF45 650 12 PG	500	1.45	1	
MF45 660 12 PG	600	1.63	1	

		1.5mm		
CODE	Width W a=b	kg 1 pc	pcs	
MF45 610 15 PG	100	0.91	1	
MF45 615 15 PG	150	1.02	1	
MF45 620 15 PG	200	1.13	1	
MF45 625 15 PG	250	1.24	1	
MF45 630 15 PG	300	1.36	1	
MF45 640 15 PG	400	1.58	1	
MF45 645 15 PG	450	1.70	1	
MF45 650 15 PG	500	1.81	1	
MF45 660 15 PG	600	2.04	1	

APPLICATIONS

Cable routing

MATERIAL

Steel, strip-galv. acc. to the Sendzimir method to TS-EN 10346:2011 (PG)

Available finishes:

HDG-steel, hot-dip galv. to TS-EN ISO 1461:2011 (HDG)

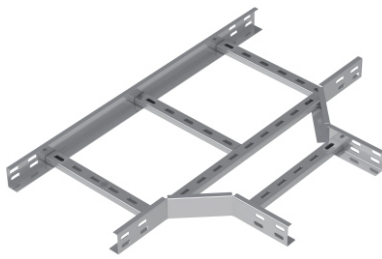
SS- stainless steel AISI 304L and AISI 316L (SS)

EP- powder coating in a full range of colours (RAL)

Thickn. (ga) [mm]: **1.2 1.5**

Tea Horizontal Bend of Cable Ladder

"T" Merdiven Yatay Dönüş Elemanı - T-отвод кабельроста горизонтальный



Important!
Joining cable tray sections together only through the use of couplers and Screw Sets CFS M6 or CFS M8

Integrated Type

Important!
To instal cable tray - bend use Screw Sets CFS M6 OR CFS M8

Pre - Galvanised

PMT ...		H60...		1.2mm	
CODE	Width W a=b=c	kg 1 pc	pcs		
PMT 610 12 PG	100	1.04	1		
PMT 615 12 PG	150	1.17	1		
PMT 620 12 PG	200	1.31	1		
PMT 625 12 PG	250	1.67	1		
PMT 630 12 PG	300	1.83	1		
PMT 640 12 PG	400	2.42	1		
PMT 645 12 PG	450	2.63	1		
PMT 650 12 PG	500	2.83	1		
PMT 660 12 PG	600	3.22	1		

		1.5mm			
CODE	Width W a=b=c	kg 1 pc	pcs		
PMT 610 15 PG	100	1.25	1		
PMT 615 15 PG	150	1.39	1		
PMT 620 15 PG	200	1.53	1		
PMT 625 15 PG	250	1.90	1		
PMT 630 15 PG	300	2.07	1		
PMT 640 15 PG	400	2.69	1		
PMT 645 15 PG	450	2.89	1		
PMT 650 15 PG	500	3.11	1		
PMT 660 15 PG	600	3.52	1		

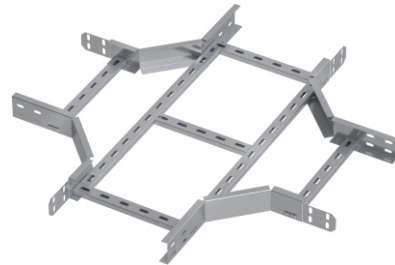
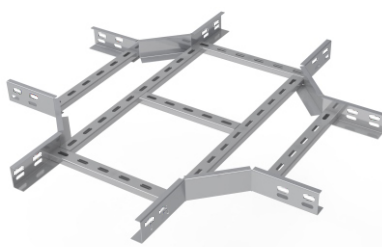
Pre - Galvanised

MFT ...		H60...		1.2mm	
CODE	Width W a=b=c	kg 1 pc	pcs		
MFT 610 12 PG	100	1.04	1		
MFT 615 12 PG	150	1.17	1		
MFT 620 12 PG	200	1.31	1		
MFT 625 12 PG	250	1.67	1		
MFT 630 12 PG	300	1.83	1		
MFT 640 12 PG	400	2.42	1		
MFT 645 12 PG	450	2.63	1		
MFT 650 12 PG	500	2.83	1		
MFT 660 12 PG	600	3.22	1		

		1.5mm			
CODE	Width W a=b=c	kg 1 pc	pcs		
MFT 610 15 PG	100	1.25	1		
MFT 615 15 PG	150	1.39	1		
MFT 620 15 PG	200	1.53	1		
MFT 625 15 PG	250	1.90	1		
MFT 630 15 PG	300	2.07	1		
MFT 640 15 PG	400	2.69	1		
MFT 645 15 PG	450	2.89	1		
MFT 650 15 PG	500	3.11	1		
MFT 660 15 PG	600	3.52	1		

Cross Bend of Cable Ladder

Dörtlü Merdiven Dönüş Elemanı - Крестовина кабельроста



Important!
Joining cable tray sections together only through the use of couplers and Screw Sets CFS M6 or CFS M8

Integrated Type

Important!
To instal cable tray - bend use Screw Sets CFS M6 OR CFS M8

Pre - Galvanised

PMD...		H60...		1.2mm	
CODE	Width W a=b=c=d	kg 1 pc	pcs		
PMD 610 12 PG	100	1.26	1		
PMD 615 12 PG	150	1.40	1		
PMD 620 12 PG	200	1.53	1		
PMD 625 12 PG	250	1.89	1		
PMD 630 12 PG	300	2.05	1		
PMD 640 12 PG	400	2.38	1		
PMD 645 12 PG	450	2.91	1		
PMD 650 12 PG	500	3.11	1		
PMD 660 12 PG	600	3.50	1		

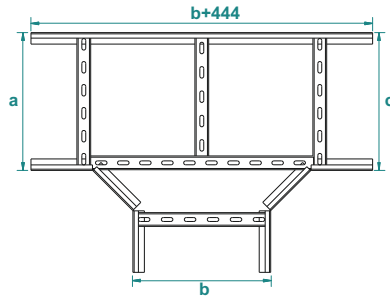
		1.5mm			
CODE	Width W a=b=c=d	kg 1 pc	pcs		
PMD 610 15 PG	100	1.52	1		
PMD 615 15 PG	150	1.65	1		
PMD 620 15 PG	200	1.78	1		
PMD 625 15 PG	250	2.15	1		
PMD 630 15 PG	300	2.31	1		
PMD 640 15 PG	400	2.64	1		
PMD 645 15 PG	450	3.17	1		
PMD 650 15 PG	500	3.36	1		
PMD 660 15 PG	600	3.76	1		

Pre - Galvanised

MFD...		H60...		1.2mm	
CODE	Width W a=b=c=d	kg 1 pc	pcs		
MFD 610 12 PG	100	1.26	1		
MFD 615 12 PG	150	1.40	1		
MFD 620 12 PG	200	1.53	1		
MFD 625 12 PG	250	1.89	1		
MFD 630 12 PG	300	2.05	1		
MFD 640 12 PG	400	2.38	1		
MFD 645 12 PG	450	2.91	1		
MFD 650 12 PG	500	3.11	1		
MFD 660 12 PG	600	3.50	1		

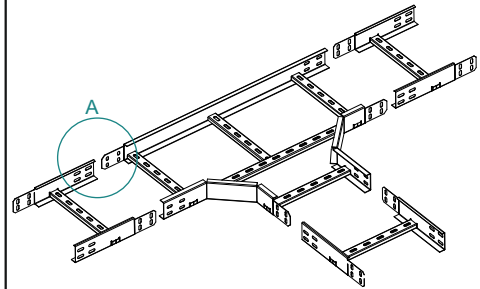
		1.5mm			
CODE	Width W a=b=c=d	kg 1 pc	pcs		
MFD 610 15 PG	100	1.52	1		
MFD 615 15 PG	150	1.65	1		
MFD 620 15 PG	200	1.78	1		
MFD 625 15 PG	250	2.15	1		
MFD 630 15 PG	300	2.31	1		
MFD 640 15 PG	400	2.64	1		
MFD 645 15 PG	450	3.17	1		
MFD 650 15 PG	500	3.36	1		
MFD 660 15 PG	600	3.76	1		

PMT H60

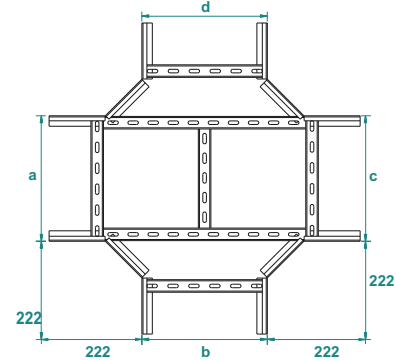


MFT H60

Quick Fixing Method (without coupler)

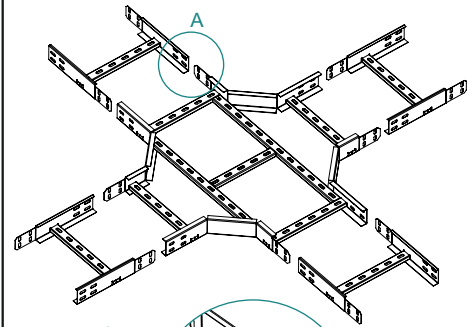


PMD H60

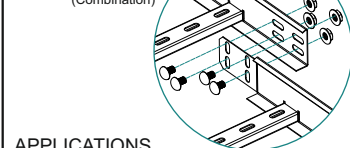


MFD H60

Quick Fixing Method (without coupler)



(Combination)



APPLICATIONS

Cable routing

MATERIAL

Steel, strip-galv. acc. to the Sendzimir method to TS-EN 10346:2011 (PG)

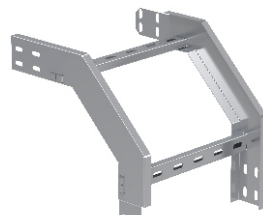
Available finishes:

HDG-steel, hot-dip galv. to TS-EN ISO 1461:2011 (HDG)
SS- stainless steel AISI 304L and AISI 316L (SS)
EP- powder coating in a full range of colours (RAL)

Thickn. (ga) [mm]: 1.2 | 1.5

Vertical 90° Outside Bend of Cable Ladder (Stable)

90° Dikey Merdiven Dış Bükey Elemanı - (Sabit) - Арка фиксированная кабельроста, внешняя 90°



Integrated Type

Important!
Joining cable tray sections together only through the use of couplers and Screw Sets CFS M6 or CFS M8

Important!
To instal cable tray - bend use Screw Sets CFS M6 OR CFS M8

Pre - Galvanised

PMDS ...	H60...	1.2mm		
CODE	Width W a mm	kg 1 pc	pcs	
PMDS 610 12 PG	100	0.97	1	
PMDS 615 12 PG	150	1.05	1	
PMDS 620 12 PG	200	1.13	1	
PMDS 625 12 PG	250	1.21	1	
PMDS 630 12 PG	300	1.29	1	
PMDS 640 12 PG	400	1.65	1	
PMDS 645 12 PG	450	1.73	1	
PMDS 650 12 PG	500	1.81	1	
PMDS 660 12 PG	600	1.97	1	

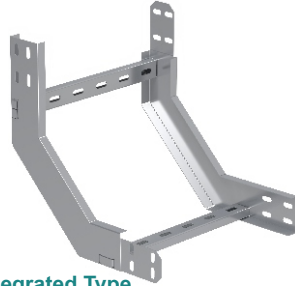
		1.5mm		
CODE	Width W a mm	kg 1 pc	pcs	
PMDS 610 15 PG	100	1.21	1	
PMDS 615 15 PG	150	1.31	1	
PMDS 620 15 PG	200	1.41	1	
PMDS 625 15 PG	250	1.51	1	
PMDS 630 15 PG	300	1.61	1	
PMDS 640 15 PG	400	2.06	1	
PMDS 645 15 PG	450	2.16	1	
PMDS 650 15 PG	500	2.26	1	
PMDS 660 15 PG	600	2.46	1	

MFDS ...	H60...	1.2mm		
CODE	Width W a mm	kg 1 pc	pcs	
MFDS 610 12 PG	100	0.97	1	
MFDS 615 12 PG	150	1.05	1	
MFDS 620 12 PG	200	1.13	1	
MFDS 625 12 PG	250	1.21	1	
MFDS 630 12 PG	300	1.29	1	
MFDS 640 12 PG	400	1.65	1	
MFDS 645 12 PG	450	1.73	1	
MFDS 650 12 PG	500	1.81	1	
MFDS 660 12 PG	600	1.97	1	

		1.5mm		
CODE	Width W a mm	kg 1 pc	pcs	
MFDS 610 15 PG	100	1.21	1	
MFDS 615 15 PG	150	1.31	1	
MFDS 620 15 PG	200	1.41	1	
MFDS 625 15 PG	250	1.51	1	
MFDS 630 15 PG	300	1.61	1	
MFDS 640 15 PG	400	2.06	1	
MFDS 645 15 PG	450	2.16	1	
MFDS 650 15 PG	500	2.26	1	
MFDS 660 15 PG	600	2.46	1	

Vertical 90° Inside Bend of Cable Ladder (Stable)

90° Dikey Merdiven İç Bükey Elemanı - (Sabit) - Арка фиксированная кабельроста, внутренняя 90°



Integrated Type

Important!
Joining cable tray sections together only through the use of couplers and Screw Sets CFS M6 or CFS M8

Important!
To instal cable tray - bend use Screw Sets CFS M6 OR CFS M8

Pre - Galvanised

PMIS...	H60...	1.2mm		
CODE	Width W a=b	kg 1 pc	pcs	
PMIS 610 12 PG	100	0.97	1	
PMIS 615 12 PG	150	1.05	1	
PMIS 620 12 PG	200	1.13	1	
PMIS 625 12 PG	250	1.21	1	
PMIS 630 12 PG	300	1.29	1	
PMIS 640 12 PG	400	1.65	1	
PMIS 645 12 PG	450	1.73	1	
PMIS 650 12 PG	500	1.81	1	
PMIS 660 12 PG	600	1.97	1	

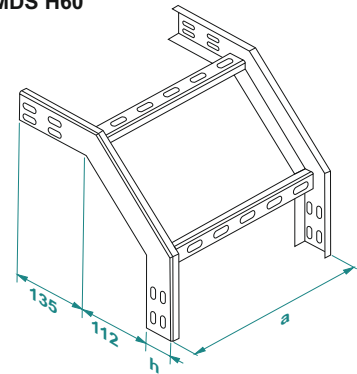
		1.5mm		
CODE	Width W a=b	kg 1 pc	pcs	
PMIS 610 15 PG	100	1.21	1	
PMIS 615 15 PG	150	1.31	1	
PMIS 620 15 PG	200	1.41	1	
PMIS 625 15 PG	250	1.51	1	
PMIS 630 15 PG	300	1.61	1	
PMIS 640 15 PG	400	2.06	1	
PMIS 645 15 PG	450	2.16	1	
PMIS 650 15 PG	500	2.26	1	
PMIS 660 15 PG	600	2.46	1	

Pre - Galvanised

MFIS...	H60...	1.2mm		
CODE	Width W a=b	kg 1 pc	pcs	
MFIS 610 12 PG	100	0.97	1	
MFIS 615 12 PG	150	1.05	1	
MFIS 620 12 PG	200	1.13	1	
MFIS 625 12 PG	250	1.21	1	
MFIS 630 12 PG	300	1.29	1	
MFIS 640 12 PG	400	1.65	1	
MFIS 645 12 PG	450	1.73	1	
MFIS 650 12 PG	500	1.81	1	
MFIS 660 12 PG	600	1.97	1	

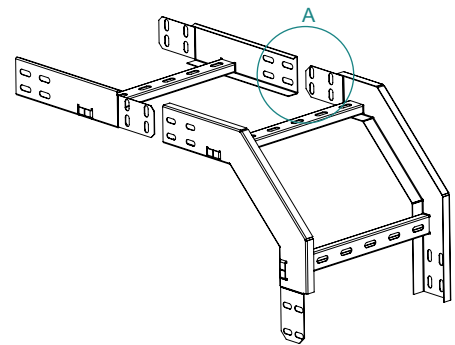
		1.5mm		
CODE	Width W a=b	kg 1 pc	pcs	
MFIS 610 15 PG	100	1.21	1	
MFIS 615 15 PG	150	1.31	1	
MFIS 620 15 PG	200	1.41	1	
MFIS 625 15 PG	250	1.51	1	
MFIS 630 15 PG	300	1.61	1	
MFIS 640 15 PG	400	2.06	1	
MFIS 645 15 PG	450	2.16	1	
MFIS 650 15 PG	500	2.26	1	
MFIS 660 15 PG	600	2.46	1	

PMDS H60

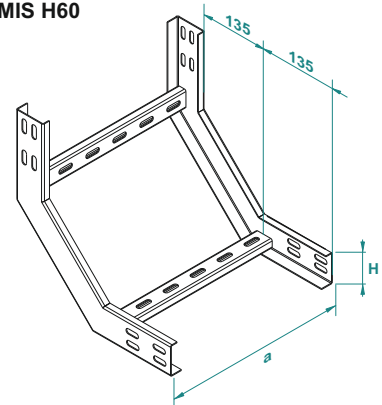


MFDS H60

Quick Fixing Method (without coupler)

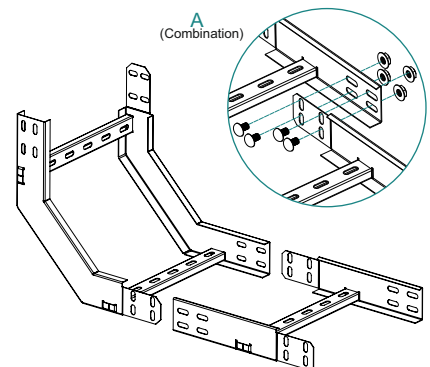


PMIS H60



MFIS H60

Quick Fixing Method (without coupler)



APPLICATIONS
Cable routing

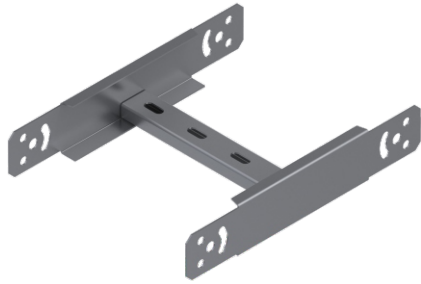
MATERIAL
Steel, strip-galv. acc. to the Sendzimir method to TS-EN 10346:2011 (PG)

Available finishes:
HDG-steel, hot-dip galv. to TS-EN ISO 1461:2011 (HDG)
SS- stainless steel AISI 304L and AISI 316L (SS)
EP- powder coating in a full range of colours (RAL)

Thickn. (ga) [mm]: 1.2 1.5

Modular Adjustable Cable Ladder Riser

Modüler Merdiven İniş-Çıkış Elemanı - Шарнирный элемент дуги кабельроста



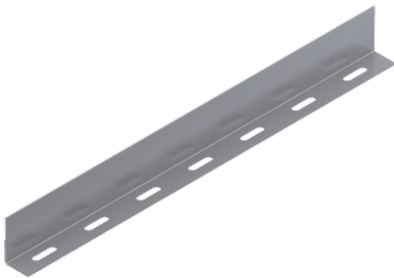
Important!
To install cable tray - bend use Screw Sets CFS M6 or CFS M8

Pre - Galvanised

PMMB ...	H60...	1.2mm			PMMB ...	H60...	1.5mm		
CODE	Width W a mm	KG 1 pc	pcs		CODE	Width W a mm	KG 1 pc	pcs	
PMMB 610 12 PG	100	0.46	1		PMMB 610 15 PG	100	0.58	1	
PMMB 615 12 PG	150	0.49	1		PMMB 615 15 PG	150	0.61	1	
PMMB 620 12 PG	200	0.51	1		PMMB 620 15 PG	200	0.64	1	
PMMB 625 12 PG	250	0.54	1		PMMB 625 15 PG	250	0.68	1	
PMMB 630 12 PG	300	0.57	1		PMMB 630 15 PG	300	0.71	1	
PMMB 640 12 PG	400	0.62	1		PMMB 640 15 PG	400	0.78	1	
PMMB 645 12 PG	450	0.65	1		PMMB 645 15 PG	450	0.81	1	
PMMB 650 12 PG	500	0.67	1		PMMB 650 15 PG	500	0.84	1	
PMMB 660 12 PG	600	0.72	1		PMMB 660 15 PG	600	0.91	1	

Seperator

Seperatör - Перегородка



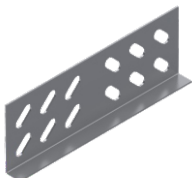
To Install Seperator use CFS bolts and nuts. (M6 or M8)

Pre - Galvanised

SEP 1 ... H45	1.0mm			SEP 1 ... H45	1.5mm		
CODE	Length L mm	KG 1m	pcs	CODE	Length L mm	KG 1m	pcs
SEP 145 10 PG	3000	0.47	1	SEP 145 15 PG	3000	0.69	1

Straight Connector (Coupler)

Birleştirme Elemanı - Прямой соединитель



To Install one lenght ;use 2 pieces of KBE connector 8 sets of CFS bolts and nuts. (M6 or M8)

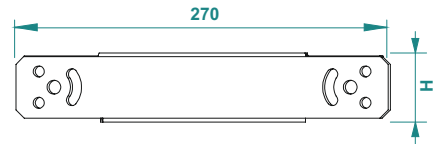
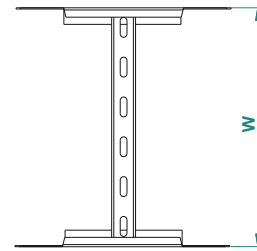
Pre - Galvanised

KBE 2 ... H60	1.2mm			KBE 2 ... H60	1.5mm		
CODE	Length L mm	KG 1pc	pcs	CODE	Length L mm	KG 1 pc	pcs
KBE 260 12 PG	175	0.1	100	KBE 260 15 PG	0.13	0.11	100

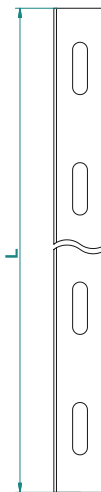
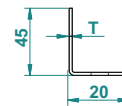
Electro - Galvanized

CFS M6	M6			CFS M8	M8				
CODE	Size mm	Length L mm	KG 1Set	pcs	CODE	Size mm	Length L mm	KG 1Set	pcs
CFS M6 EG	M6	15	0,008	500	CFS M8 EG	M8	15	0,014	500

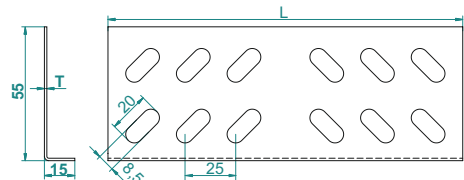
PMMB H60



SEP 1 H45



KBE 2 H60



M6x15 Round head squire neck bolt & M6 Flanged nut

APPLICATIONS

Cable routing

MATERIAL

Steel, strip-galv. acc. to the Sendzimir method to TS-EN 10346:2011 (PG)

Available finishes:

HDG-steel, hot-dip galv. to TS-EN ISO 1461:2011 (HDG)
SS- stainless steel AISI 304L and AISI 316L (SS)
EP- powder coating in a full range of colours (RAL)

Thickn. (ga) [mm]: 1.2 1.5