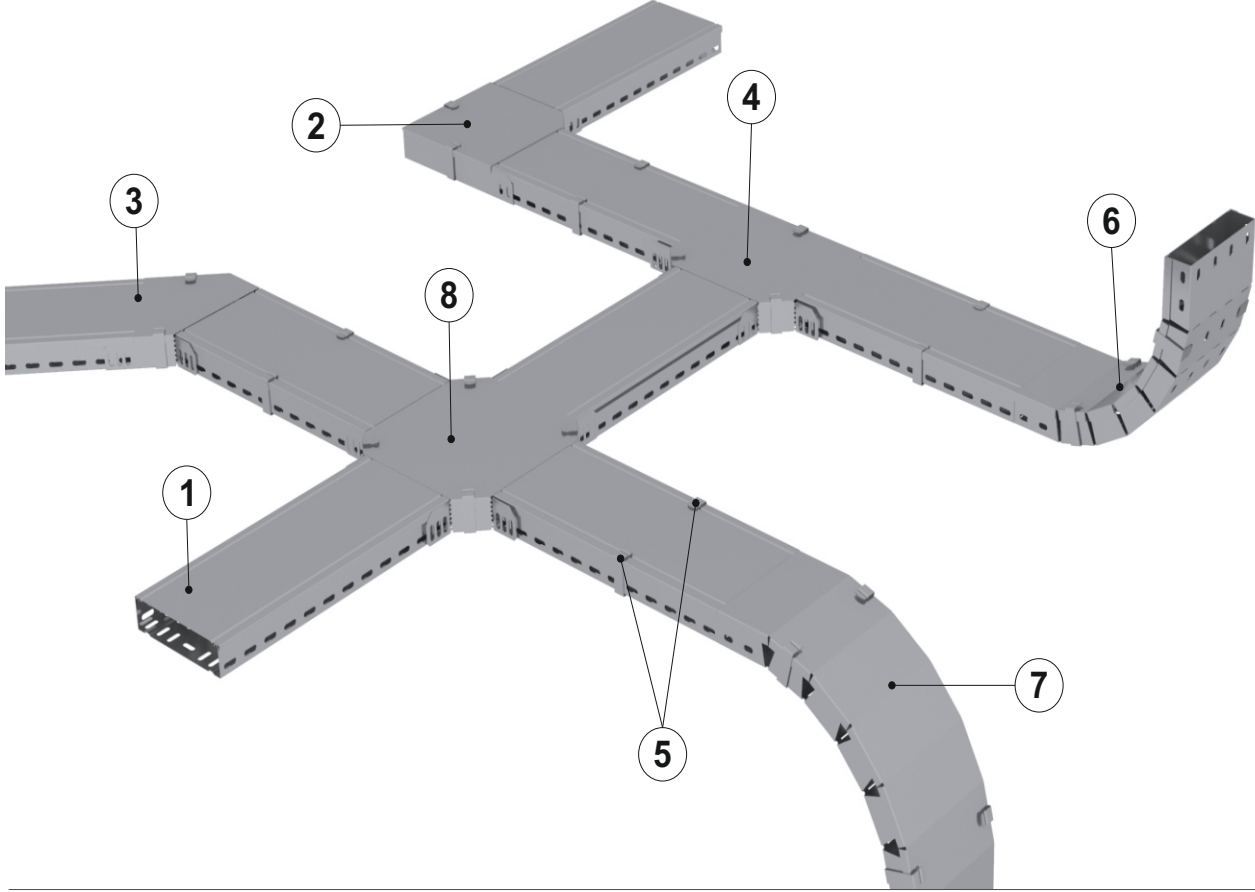


## Covers of Cable Trays and Accessories

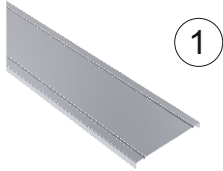
### Kanal ve Aksesuar Kapakları

### Крышка лотков и аксессуаров



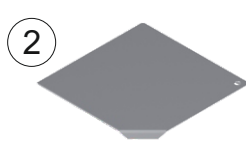
#### Accessories

**Cover of Cable Tray**  
Kablo Kanalı Kapağı



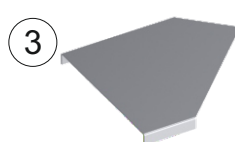
**FKK / KK**

**90° Hor. bend cover**  
90° Yat. dönüş kapağı



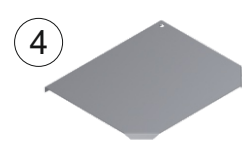
**KK90**

**45° Hor. bend cover**  
45° Yat. dönüş kapağı



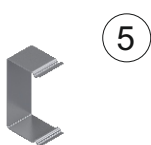
**KK45**

**Tee bend cover**  
T dönüş kapağı



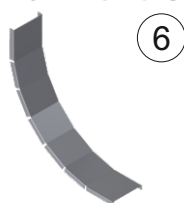
**KKT**

**Cover clamp**  
Kapak tutucu



**KT/1**

**Ver. inside bend cover**  
İç bükey dönüş kapağı



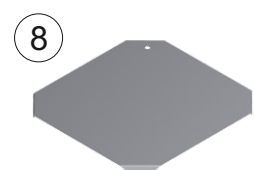
**KKIB**

**Ver. outside bend cover**  
Dış bükey dönüş kapağı



**KKDB**

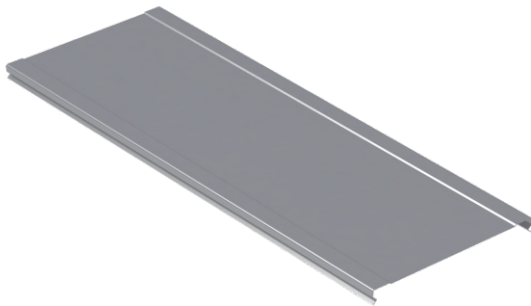
**Cross bend cover**  
Dörtlü dönüş kapağı



**KKD**

## Cover of Cable Tray

Kablo Kanalı Karađı - Крышка лотков



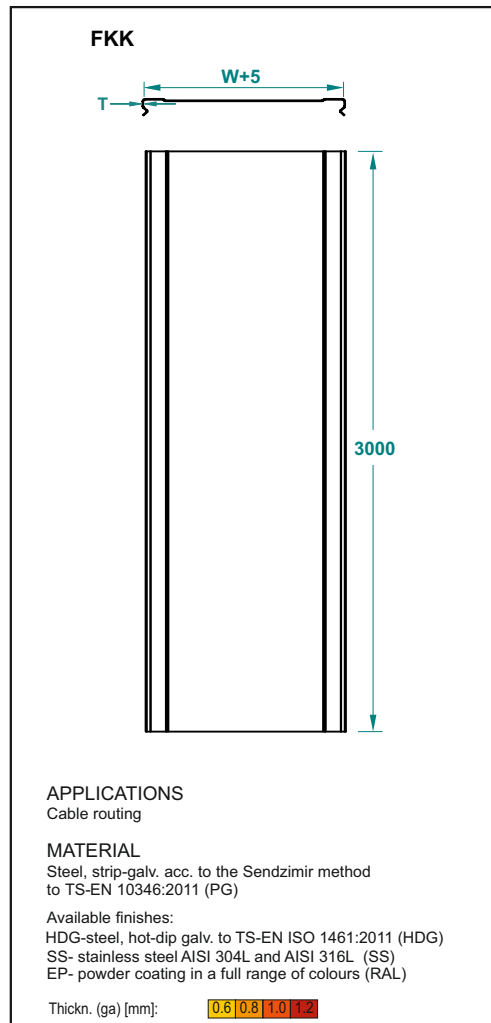
Important!  
Joining cable tray sections together only use  
Screw Sets CFS M6 or CFS M8

### Pre - Galvanised

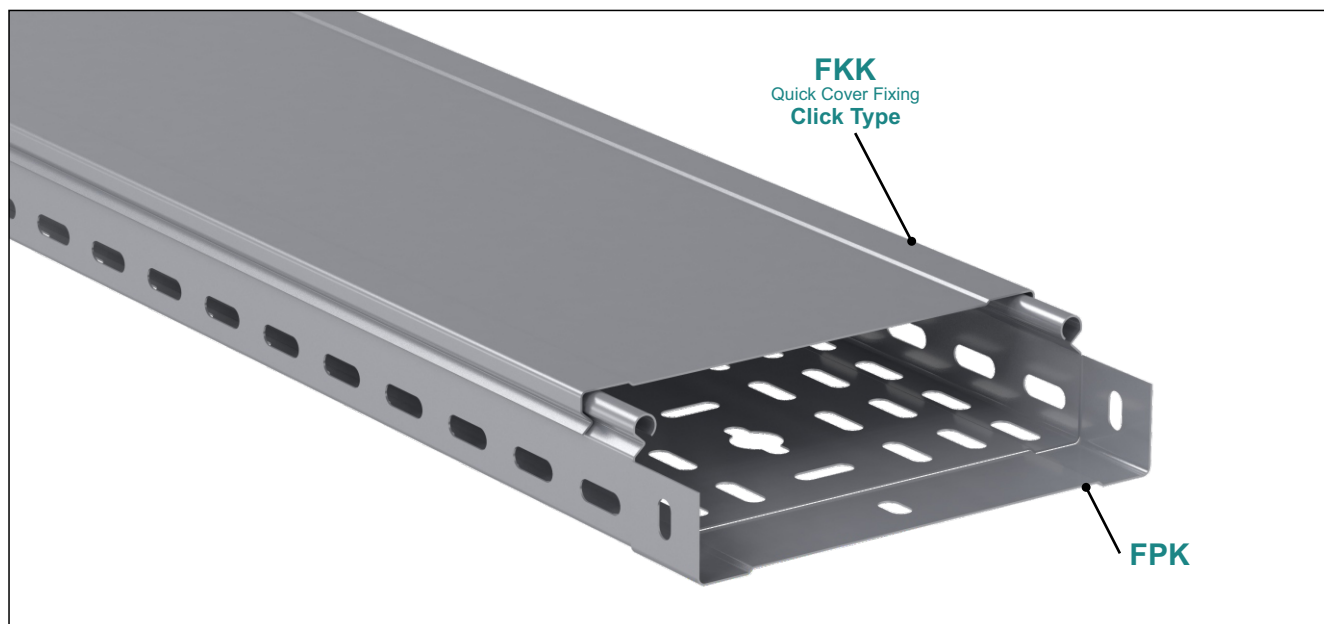
FKK ...		0.6mm			
CODE	Width a mm	Length L mm	Kg 1 pc	pcs	
FKK 05 06 PG	50	3000	0.38	2	
FKK 07 06 PG	75	3000	0.50	2	
FKK 10 06 PG	100	3000	0.62	2	
FKK 12 06 PG	125	3000	0.74	2	
FKK 15 06 PG	150	3000	0.85	2	
FKK 20 06 PG	200	3000	1.09	2	
		0.7mm			
FKK 05 07 PG	50	3000	0.44	2	
FKK 07 07 PG	75	3000	0.58	2	
FKK 10 07 PG	100	3000	0.72	2	
FKK 12 07 PG	125	3000	0.86	2	
FKK 15 07 PG	150	3000	0.99	2	
FKK 20 07 PG	200	3000	1.27	2	
		0.8mm			
FKK 05 08 PG	50	3000	0.51	2	
FKK 07 08 PG	75	3000	0.66	2	
FKK 10 08 PG	100	3000	0.82	2	
FKK 12 08 PG	125	3000	0.98	2	
FKK 15 08 PG	150	3000	1.14	2	
FKK 20 08 PG	200	3000	1.45	2	
FKK 22 08 PG	225	3000	1.61	2	
FKK 25 08 PG	250	3000	1.76	2	
FKK 30 08 PG	300	3000	2.08	2	

FKK		1.0mm			
CODE	Width a mm	Length L mm	Kg 1 pc	pcs	
FKK 05 10 PG	50	3000	0.63	2	
FKK 07 10 PG	75	3000	0.83	2	
FKK 10 10 PG	100	3000	1.03	2	
FKK 12 10 PG	125	3000	1.22	2	
FKK 15 10 PG	150	3000	1.42	2	
FKK 20 10 PG	200	3000	1.81	2	
FKK 22 10 PG	225	3000	2.01	2	
FKK 25 10 PG	250	3000	2.20	2	
FKK 30 10 PG	300	3000	2.60	2	
FKK 40 10 PG	400	3000	3.38	2	
FKK 45 10 PG	450	3000	3.60	2	
FKK 50 10 PG	500	3000	4.00	2	
FKK 60 10 PG	600	3000	4.75	2	
		1.2mm			
FKK 05 12 PG	50	3000	0.76	2	
FKK 07 12 PG	75	3000	0.99	2	
FKK 10 12 PG	100	3000	1.23	2	
FKK 12 12 PG	125	3000	1.47	2	
FKK 15 12 PG	150	3000	1.70	2	
FKK 20 12 PG	200	3000	2.17	2	
FKK 22 12 PG	225	3000	2.41	2	
FKK 25 12 PG	250	3000	2.64	2	
FKK 30 12 PG	300	3000	3.11	2	
FKK 40 12 PG	400	3000	4.06	2	
FKK 45 12 PG	450	3000	4.53	2	
FKK 50 12 PG	500	3000	5.00	2	
FKK 60 12 PG	600	3000	5.94	2	

		0.5mm			
CODE	Width a mm	Length L mm	Kg 1 pc	pcs	
FKK 05 05 PG	50	3000	0.31	2	
FKK 10 05 PG	100	3000	0.51	2	

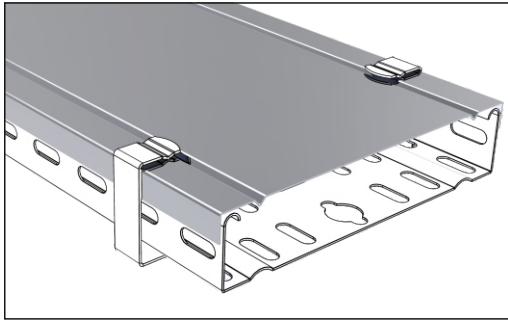


### Mounting Example

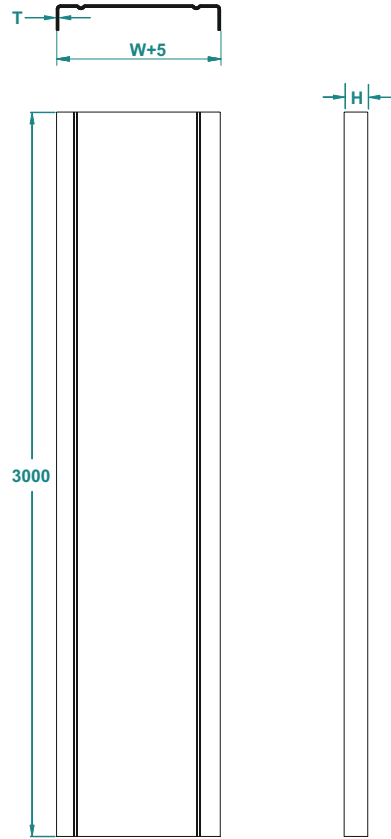


## Cover of Cable Tray / Ladder

Kablo Kanalı ve Merdiven Kapağı- Крышка лотков и кабельростов



KK



### Important!

For fixing cable tray cover sections use 4 pcs of KT/1 cover clamps for 1 length

### Pre - Galvanised

KK ...	0.6mm			
CODE	Width W mm	Length L mm	KG 1 mt	pcs
KK 05 06 PG	50	3000	0.38	2
KK 07 06 PG	75	3000	0.50	2
KK 10 06 PG	100	3000	0.62	2
KK 12 06 PG	125	3000	0.74	2
KK 15 06 PG	150	3000	0.85	2
KK 20 06 PG	200	3000	1.09	2
0.8mm				
KK 05 08 PG	50	3000	0.51	2
KK 07 08 PG	75	3000	0.66	2
KK 10 08 PG	100	3000	0.82	2
KK 12 08 PG	125	3000	0.98	2
KK 15 08 PG	150	3000	1.14	2
KK 20 08 PG	200	3000	1.45	2
KK 22 08 PG	225	3000	1.61	2
KK 25 08 PG	250	3000	1.76	2
KK 30 08 PG	300	3000	2.08	2
1.0mm				
KK 05 10 PG	50	3000	0.63	2
KK 07 10 PG	75	3000	0.83	2
KK 10 10 PG	100	3000	1.03	2
KK 12 10 PG	125	3000	1.22	2
KK 15 10 PG	150	3000	1.42	2
KK 20 10 PG	200	3000	1.81	2
KK 22 10 PG	225	3000	2.01	2
KK 25 10 PG	250	3000	2.20	2
KK 30 10 PG	300	3000	2.60	2
KK 40 10 PG	400	3000	3.38	2

KK ...	1.2mm			
CODE	Width W mm	Length L mm	KG 1 mt	pcs
KK 05 12 PG	50	3000	0.76	2
KK 07 12 PG	75	3000	0.99	2
KK 10 12 PG	100	3000	1.23	2
KK 12 12 PG	125	3000	1.47	2
KK 15 12 PG	150	3000	1.70	2
KK 20 12 PG	200	3000	2.17	2
KK 22 12 PG	225	3000	2.41	2
KK 25 12 PG	250	3000	2.64	2
KK 30 12 PG	300	3000	3.11	2
KK 40 12 PG	400	3000	4.06	2
KK 45 12 PG	450	3000	4.53	2
KK 50 12 PG	500	3000	5.00	2
KK 60 12 PG	600	3000	5.94	2
1.5mm				
KK 05 15 PG	50	3000	0.95	2
KK 07 15 PG	75	3000	1.24	2
KK 10 15 PG	100	3000	1.54	2
KK 12 15 PG	125	3000	1.83	2
KK 15 15 PG	150	3000	2.12	2
KK 20 15 PG	200	3000	2.71	2
KK 22 15 PG	225	3000	3.01	2
KK 25 15 PG	250	3000	3.30	2
KK 30 15 PG	300	3000	3.89	2
KK 40 15 PG	400	3000	5.07	2
KK 45 15 PG	450	3000	5.66	2
KK 50 15 PG	500	3000	6.25	2
KK 60 15 PG	600	3000	7.42	2



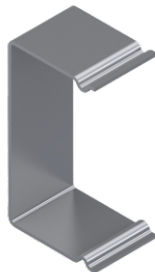
Standard



Reinforced

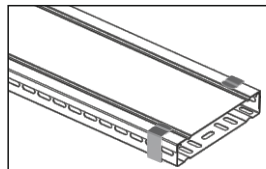
## Cover Clamp

Kapak Tutucu KT/1 Tipi - Фиксатор крышки боковой, KT/1

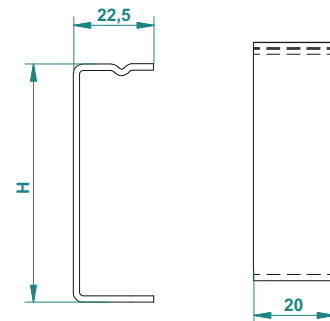


### Important!

Use 4 pcs of KT/1 cover clamps for 1 length



KT/1



### APPLICATIONS

Cable routing

### MATERIAL

Steel, strip-galv. acc. to the Sendzimir method to TS-EN 10346:2011 (PG)

Available finishes:

HDG-steel, hot-dip galv. to TS-EN ISO 1461:2011 (HDG)  
SS- stainless steel AISI 304L and AISI 316L (SS)  
EP- powder coating in a full range of colours (RAL)

Thickn. (ga) [mm]:

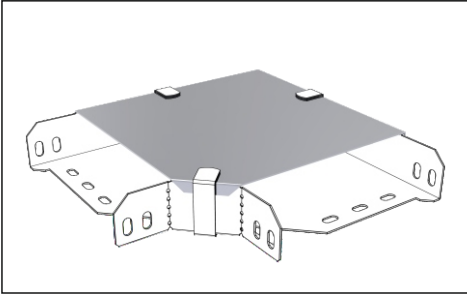
0.6 0.8 1.0 1.2 1.5

### Pre - Galvanised

KT/1 ...	1.2mm		
CODE	H mm	KG 1 pc	pcs
KT/1 40 PG	40	0.031	100
KT/1 50 PG	50	0.034	100
KT/1 60 PG	60	0.037	100
KT/1 80 PG	80	0.034	100
KT/1 100 PG	100	0.037	100

## Cover of 90° Horizontal Bend of Cable Tray

90° Kanal Yatay Dönüş Karağı- Крышка на угол горизонтальный 90°



### Important!

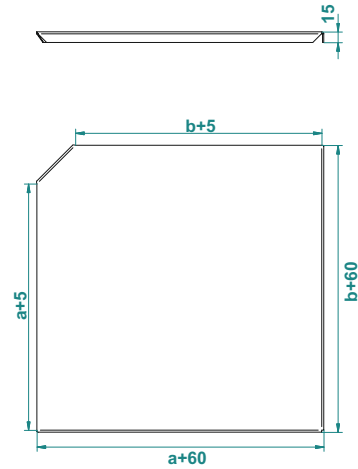
For fixing cable tray cover bend sections use 3 pcs of KT/1 cover clamps. Cover clamps fixing - side sliding.

### Pre - Galvanized

KK90 ...		0.8mm	
CODE	Width a=b mm	kg 1 pc	pcs
KK90 05 08 PG	50	0.08	1
KK90 07 08 PG	75	0.12	1
KK90 10 08 PG	100	0.16	1
KK90 12 08 PG	125	0.22	1
KK90 15 08 PG	150	0.28	1
KK90 20 08 PG	200	0.44	1
KK90 ...		1.0mm	
CODE	Width a=b mm	kg 1 pc	pcs
KK90 05 10 PG	50	0.10	1
KK90 07 10 PG	75	0.15	1
KK90 10 10 PG	100	0.21	1
KK90 12 10 PG	125	0.28	1
KK90 15 10 PG	150	0.36	1
KK90 20 10 PG	200	0.55	1
KK90 22 10 PG	225	0.66	1
KK90 25 10 PG	250	0.78	1
KK90 30 10 PG	300	1.00	1
KK90 40 10 PG	400	1.62	1

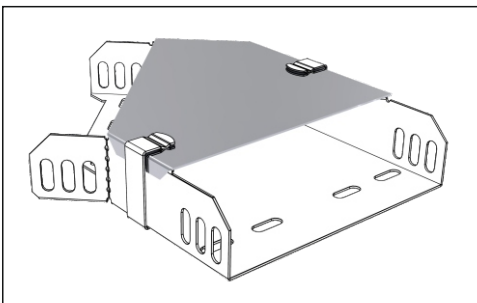
KK90 ...		1.2mm	
CODE	Width a=b mm	kg 1 pc	pcs
KK90 30 12 PG	300	1.25	1
KK90 40 12 PG	400	2.03	1
KK90 45 12 PG	450	2.49	1
KK90 50 12 PG	500	3.00	1
KK90 60 12 PG	600	4.16	1
KK90 ...		1.5mm	
CODE	Width a=b mm	kg 1 pc	pcs
KK90 05 15 PG	50	0.15	1
KK90 07 15 PG	75	0.23	1
KK90 10 15 PG	100	0.32	1
KK90 12 15 PG	125	0.42	1
KK90 15 15 PG	150	0.54	1
KK90 20 15 PG	200	0.82	1
KK90 22 15 PG	225	0.99	1
KK90 25 15 PG	250	1.16	1
KK90 30 15 PG	300	1.56	1
KK90 40 15 PG	400	2.54	1
KK90 45 15 PG	450	3.12	1
KK90 50 15 PG	500	3.75	1
KK90 60 15 PG	600	5.20	1

### KK90



## Cover of 45° Horizontal Bend of Cable Tray

45° Kanal Yatay Dönüş Karağı- Крышка на угол горизонтальный 45°



### Important!

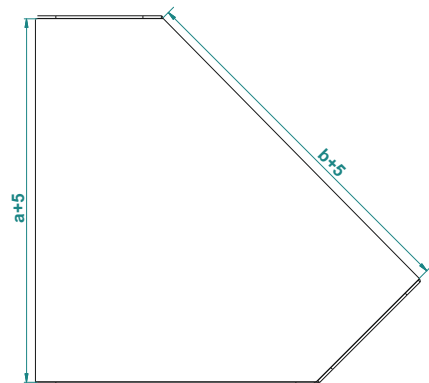
For fixing cable tray cover bend sections use 2 pcs of KT/1 cover clamps. Cover clamps fixing - side sliding.

### Pre - Galvanized

KK45 ...		0.8mm	
CODE	Width a=b mm	kg 1 pc	pcs
KK45 05 08 PG	50	0.06	1
KK45 07 08 PG	75	0.08	1
KK45 10 08 PG	100	0.12	1
KK45 12 08 PG	125	0.16	1
KK45 15 08 PG	150	0.21	1
KK45 20 08 PG	200	0.32	1
KK45 ...		1.0mm	
CODE	Width a=b mm	kg 1 pc	pcs
KK45 05 10 PG	50	0.08	1
KK45 07 10 PG	75	0.11	1
KK45 10 10 PG	100	0.16	1
KK45 12 10 PG	125	0.21	1
KK45 15 10 PG	150	0.27	1
KK45 20 10 PG	200	0.41	1
KK45 22 10 PG	225	0.49	1
KK45 25 10 PG	250	0.58	1
KK45 30 10 PG	300	0.74	1
KK45 40 10 PG	400	1.20	1

KK45 ...		1.2mm	
CODE	Width a=b mm	kg 1 pc	pcs
KK45 30 12 PG	300	0.92	1
KK45 40 12 PG	400	1.49	1
KK45 45 12 PG	450	1.82	1
KK45 50 12 PG	500	2.19	1
KK45 60 12 PG	600	3.02	1
KK45 ...		1.5mm	
CODE	Width a=b mm	kg 1 pc	pcs
KK45 05 15 PG	50	0.11	1
KK45 07 15 PG	75	0.17	1
KK45 10 15 PG	100	0.24	1
KK45 12 15 PG	125	0.32	1
KK45 15 15 PG	150	0.40	1
KK45 20 15 PG	200	0.61	1
KK45 22 15 PG	225	0.73	1
KK45 25 15 PG	250	0.86	1
KK45 30 15 PG	300	1.15	1
KK45 40 15 PG	400	1.86	1
KK45 45 15 PG	450	2.28	1
KK45 50 15 PG	500	2.74	1
KK45 60 15 PG	600	3.78	1

### KK45



### APPLICATIONS

Cable routing

### MATERIAL

Steel, strip-galv. acc. to the Sendzimir method to TS-EN 10346:2011 (PG)

Available finishes:

HDG-steel, hot-dip galv. to TS-EN ISO 1461:2011 (HDG)

SS- stainless steel AISI 304L and AISI 316L (SS)

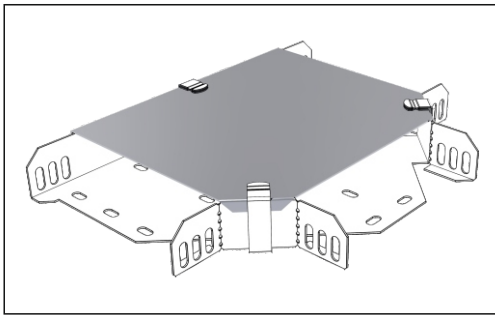
EP- powder coating in a full range of colours (RAL)

Thickn. (ga) [mm]:

**0.6 0.8 1.0 1.2 1.5**

## Cover of Horizontal Bend of Cable Tray

"T" Kanal Yatay Dönüş Karağı - Крышка T-отвода горизонтального



### Important!

For fixing cable tray cover bend sections use 3 pcs of KT/1 cover clamps. Cover clamps fixing - side sliding.

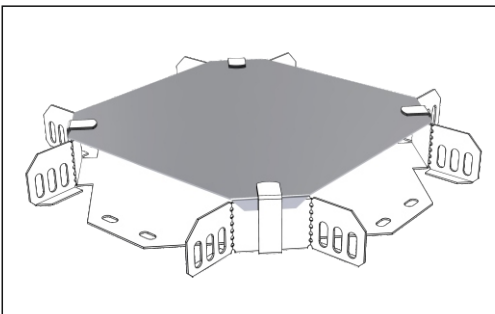
### Pre - Galvanised

KKT ...		0.8mm	
CODE	Width a=b=c mm	KG 1 pc	pcs
KKT 05 08 PG	50	0.10	1
KKT 07 08 PG	75	0.15	1
KKT 10 08 PG	100	0.20	1
KKT 12 08 PG	125	0.26	1
KKT 15 08 PG	150	0.33	1
KKT 20 08 PG	200	0.49	1
KKT ...		1.0mm	
KKT 05 10 PG	50	0.13	1
KKT 07 10 PG	75	0.19	1
KKT 10 10 PG	100	0.26	1
KKT 12 10 PG	125	0.33	1
KKT 15 10 PG	150	0.42	1
KKT 20 10 PG	200	0.62	1
KKT 22 10 PG	225	0.74	1
KKT 25 10 PG	250	0.86	1
KKT 30 10 PG	300	1.10	1
KKT 40 10 PG	400	1.74	1

KKT ...		1.2mm	
CODE	Width a=b=c mm	KG 1 pc	pcs
KKT 30 12 PG	300	1.37	1
KKT 40 12 PG	400	2.18	1
KKT 45 12 PG	450	2.66	1
KKT 50 12 PG	500	3.19	1
KKT 60 12 PG	600	4.38	1
KKT ...		1.5mm	
KKT 05 15 PG	50	0.20	1
KKT 07 15 PG	75	0.29	1
KKT 10 15 PG	100	0.39	1
KKT 12 15 PG	125	0.50	1
KKT 15 15 PG	150	0.63	1
KKT 20 15 PG	200	0.93	1
KKT 22 15 PG	225	1.10	1
KKT 25 15 PG	250	1.29	1
KKT 30 15 PG	300	1.71	1
KKT 40 15 PG	400	2.73	1
KKT 45 15 PG	450	3.33	1
KKT 50 15 PG	500	3.98	1
KKT 60 15 PG	600	5.47	1

## Cover of Cross Bend of Cable Tray

Dörtlü Kanal Dönüş Karağı - Крышка Крестовины



### Important!

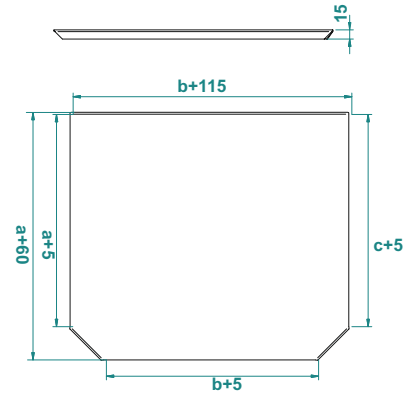
For fixing cable tray cover bend sections use 4 pcs of KT/1 cover clamps. Cover clamps fixing - side sliding.

### Pre - Galvanised

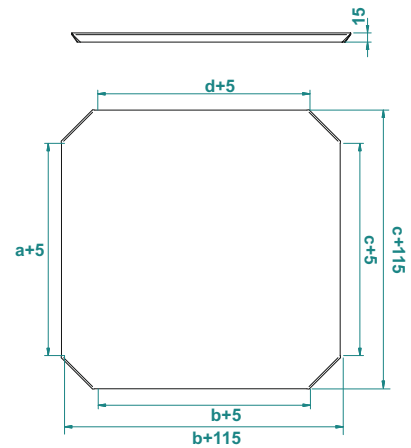
KKD ...		0.8mm	
CODE	Width a=b=c=d mm	KG 1 pc	pcs
KKD 05 10 PG	50	0.13	1
KKD 07 10 PG	75	0.19	1
KKD 10 10 PG	100	0.24	1
KKD 12 10 PG	125	0.31	1
KKD 15 10 PG	150	0.39	1
KKD 20 10 PG	200	0.56	1
KKD ...		1.0mm	
KKD 05 10 PG	50	0.17	1
KKD 07 10 PG	75	0.24	1
KKD 10 10 PG	100	0.31	1
KKD 12 10 PG	125	0.39	1
KKD 15 10 PG	150	0.49	1
KKD 20 10 PG	200	0.70	1
KKD 22 10 PG	225	0.82	1
KKD 25 10 PG	250	0.96	1
KKD 30 10 PG	300	1.20	1
KKD 40 10 PG	400	1.88	1

KKD ...		1.2mm	
CODE	Width a=b=c=d mm	KG 1 pc	pcs
KKD 30 12 PG	300	1.50	1
KKD 40 12 PG	400	2.35	1
KKD 45 12 PG	450	2.84	1
KKD 50 12 PG	500	3.38	1
KKD 60 12 PG	600	4.60	1
KKD ...		1.5mm	
KKD 05 15 PG	50	0.26	1
KKD 07 15 PG	75	0.36	1
KKD 10 15 PG	100	0.47	1
KKD 12 15 PG	125	0.59	1
KKD 15 15 PG	150	0.73	1
KKD 20 15 PG	200	1.05	1
KKD 22 15 PG	225	1.24	1
KKD 25 15 PG	250	1.43	1
KKD 30 15 PG	300	1.87	1
KKD 40 15 PG	400	2.93	1
KKD 45 15 PG	450	3.55	1
KKD 50 15 PG	500	4.22	1
KKD 60 15 PG	600	5.75	1

### KKT



### KKD



### APPLICATIONS

Cable routing

### MATERIAL

Steel, strip-galv. acc. to the Sendzimir method to TS-EN 10346:2011 (PG)

Available finishes:

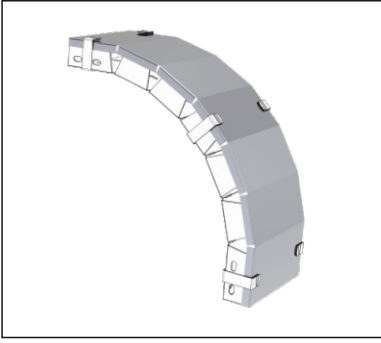
HDG-steel, hot-dip galv. to TS-EN ISO 1461:2011 (HDG)  
SS- stainless steel AISI 304L and AISI 316L (SS)  
EP- powder coating in a full range of colours (RAL)

Thickn. (ga) [mm]:

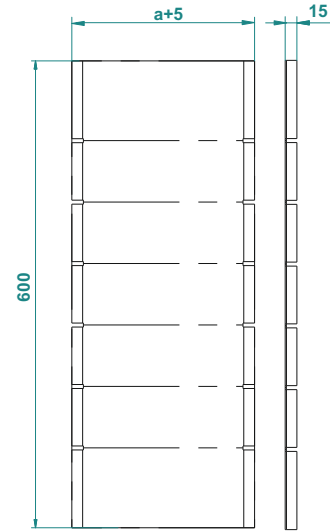
0.6 0.8 1.0 1.2 1.5

## Cover of Vertical Outside Bend of Cable Tray (Flexible)

*Dikey Kanal Dış Büküye Karağı - Крышка арки гибкой внешней*



**KKDB**



**Important!**

For fixing cable tray cover bend sections use 4 pcs of KT/1 cover clamps. Cover clamps fixing - side sliding.

**Pre - Galvanised**

KKDB ... H15		0.8mm	
CODE	Width a mm	KG 1 pc	pcs
KKDB 05 08 PG	50	0.32	1
KKDB 07 08 PG	75	0.41	1
KKDB 10 08 PG	100	0.51	1
KKDB 12 08 PG	125	0.61	1
KKDB 15 08 PG	150	0.71	1
KKDB 20 08 PG	200	1.90	1

KKDB ... H15		1.0mm	
CODE	Width a mm	KG 1 pc	pcs
KKDB 05 10 PG	50	0.40	1
KKDB 07 10 PG	75	0.52	1
KKDB 10 10 PG	100	0.64	1
KKDB 12 10 PG	125	0.77	1
KKDB 15 10 PG	150	0.89	1
KKDB 20 10 PG	200	1.13	1
KKDB 22 10 PG	225	1.26	1
KKDB 25 10 PG	250	1.38	1
KKDB 30 10 PG	300	1.56	1
KKDB 40 10 PG	400	2.43	1

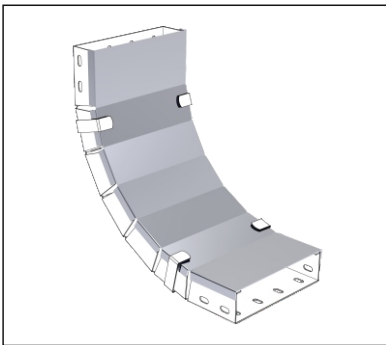
KKDB ... H15		1.2mm	
CODE	Width a mm	KG 1 pc	pcs
KKDB 30 12 PG	300	1.95	1
KKDB 40 12 PG	400	3.04	1
KKDB 45 12 PG	450	3.40	1
KKDB 50 12 PG	500	3.75	1
KKDB 60 12 PG	600	4.46	1

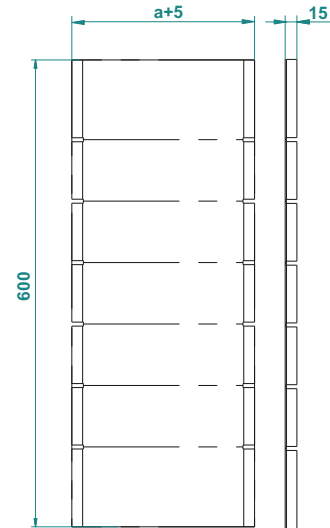
KKDB ... H15		1.5mm	
CODE	Width a mm	KG 1 pc	pcs
KKDB 05 15 PG	50	0.59	1
KKDB 07 15 PG	75	0.78	1
KKDB 10 15 PG	100	0.96	1
KKDB 12 15 PG	125	1.15	1
KKDB 15 15 PG	150	1.33	1
KKDB 20 15 PG	200	1.70	1
KKDB 22 15 PG	225	1.88	1
KKDB 25 15 PG	250	2.07	1
KKDB 30 15 PG	300	2.43	1
KKDB 40 15 PG	400	3.80	1
KKDB 45 15 PG	450	4.24	1
KKDB 50 15 PG	500	4.69	1
KKDB 60 15 PG	600	5.57	1

## Cover of Vertical Inside Bend of Cable Tray (Flexible)

*Dikey Kanal İç Büküye Karağı - Крышка арки гибкой внутренней*



**KKIB**



**Important!**

For fixing cable tray cover bend sections use 4 pcs of KT/1 cover clamps. Cover clamps fixing - side sliding.

**Pre - Galvanized**

KKIB ... H15		0.8mm	
CODE	Width a mm	KG 1 pc	pcs
KKIB 05 08 PG	50	0.32	1
KKIB 07 08 PG	75	0.41	1
KKIB 10 08 PG	100	0.51	1
KKIB 12 08 PG	125	0.61	1
KKIB 15 08 PG	150	0.71	1
KKIB 20 08 PG	200	1.90	1

KKIB ... H15		1.0mm	
CODE	Width a mm	KG 1 pc	pcs
KKIB 05 10 PG	50	0.40	1
KKIB 07 10 PG	75	0.52	1
KKIB 10 10 PG	100	0.64	1
KKIB 12 10 PG	125	0.77	1
KKIB 15 10 PG	150	0.89	1
KKIB 20 10 PG	200	1.13	1
KKIB 22 10 PG	225	1.26	1
KKIB 25 10 PG	250	1.38	1
KKIB 30 10 PG	300	1.56	1
KKIB 40 10 PG	400	2.43	1

KKIB ... H15		1.2mm	
CODE	Width a mm	KG 1 pc	pcs
KKIB 30 12 PG	300	1.95	1
KKIB 40 12 PG	400	3.04	1
KKIB 45 12 PG	450	3.40	1
KKIB 50 12 PG	500	3.75	1
KKIB 60 12 PG	600	4.46	1

KKIB ... H15		1.5mm	
CODE	Width a mm	KG 1 pc	pcs
KKIB 05 15 PG	50	0.59	1
KKIB 07 15 PG	75	0.78	1
KKIB 10 15 PG	100	0.96	1
KKIB 12 15 PG	125	1.15	1
KKIB 15 15 PG	150	1.33	1
KKIB 20 15 PG	200	1.70	1
KKIB 22 15 PG	225	1.88	1
KKIB 25 15 PG	250	2.07	1
KKIB 30 15 PG	300	2.43	1
KKIB 40 15 PG	400	3.80	1
KKIB 45 15 PG	450	4.24	1
KKIB 50 15 PG	500	4.69	1
KKIB 60 15 PG	600	5.57	1

**APPLICATIONS**

Cable routing

**MATERIAL**

Steel, strip-galv. acc. to the Sendzimir method to TS-EN 10346:2011 (PG)

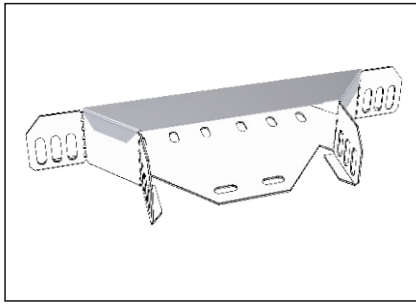
Available finishes:

HDG-steel, hot-dip galv. to TS-EN ISO 1461:2011 (HDG)  
 SS- stainless steel AISI 304L and AISI 316L (SS)  
 EP- powder coating in a full range of colours (RAL)

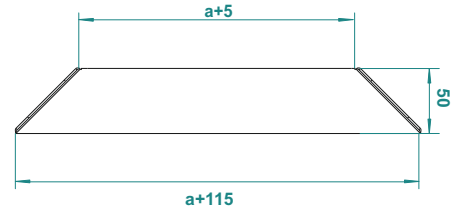
Thickn. (ga) [mm]: **0.6 0.8 1.0 1.2 1.5**

## Cover of Add On Tee Horizontal Bend of Cable Tray

"T" Kanal Yatay Dönüş Eki Kapağı - Крышка T-отвода горизонтального



KKTE



**Important!**

For fixing cable tray cover bend sections use 2 pcs of KT/1 cover clamps. Cover clamps fixing - side sliding.

Pre - Galvanised

KKTE ... H15		0.8mm	
CODE	Width a mm	KG 1 pc	pcs
KKTE 15 10 PG	100	0.08	1
KKTE 20 10 PG	125	1.00	1
KKTE 22 10 PG	150	0.13	1
KKTE 25 10 PG	200	0.14	1
		1.0mm	
KKTE 15 10 PG	100	0.10	1
KKTE 20 10 PG	125	0.12	1
KKTE 22 10 PG	150	0.13	1
KKTE 25 10 PG	200	0.14	1
KKTE 30 10 PG	250	0.15	1
KKTE 40 10 PG	300	0.16	1

KKTE ... H15		1.2mm	
CODE	Width a mm	KG 1 pc	pcs
KKTE 30 12 PG	300	0.19	1
KKTE 40 12 PG	400	0.23	1
KKTE 45 12 PG	450	0.26	1
KKTE 50 12 PG	500	0.28	1
KKTE 60 12 PG	600	0.33	1
		1.5mm	
KKTER1 15 15 PG	100	0.45	1
KKTER1 20 15 PG	125	0.51	1
KKTER1 22 15 PG	150	0.55	1
KKTER1 25 15 PG	200	0.58	1
KKTER1 30 15 PG	225	0.64	1
KKTER1 40 15 PG	250	0.76	1
KKTER1 45 15 PG	300	0.83	1
KKTER1 50 15 PG	400	0.89	1
KKTER1 60 15 PG	450	1.01	1

APPLICATIONS

Cable routing

MATERIAL

Steel, strip-galv. acc. to the Sendzimir method to TS-EN 10346:2011 (PG)

Available finishes:

HDG-steel, hot-dip galv. to TS-EN ISO 1461:2011 (HDG)

SS- stainless steel AISI 304L and AISI 316L (SS)

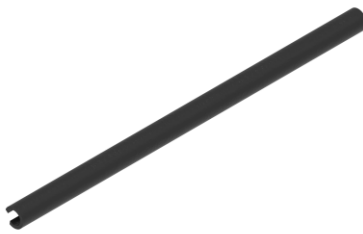
EP- powder coating in a full range of colours (RAL)

Thickn. (ga) [mm]:

0.6 0.8 1.0 1.2 1.5

## Edge Protection Strip

Kenar Koruma Fitili - Лента для защиты кромок



FIT SNG

PVC

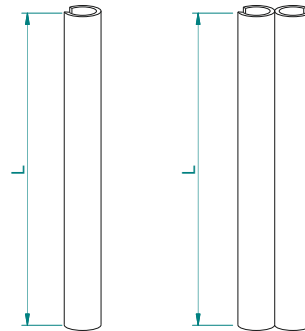
FIT DBL

FIT ...			
CODE	Length L mt	KG mt/kg	pcs
FIT SNG	10	0.10	1

FIT ...			
CODE	Length L mt	KG mt/kg	pcs
FIT DBL	10	0.20	1

FIT SNG

FIT DBL



## Zinc Spray

Çinko Sprey - Цинковый спрей



## Zinc Repair Paint

Çinko Pasta - Цинковая краска



CODE	KG 1pc	pcs
ZINC 400	0.4	1

CODE	KG 1pc	pcs
ZINC PAS	1.0	1

APPLICATIONS

Cable routing / Standard : IEC 61537